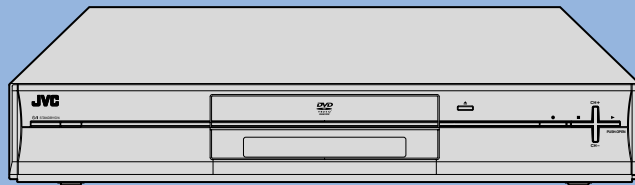


JVC

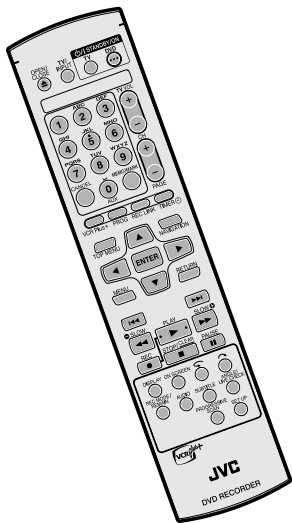
DR-M100S

JVC IS HERE TO HELP!
TOLL FREE: 1(800)252-5722
<http://www.jvc.com>

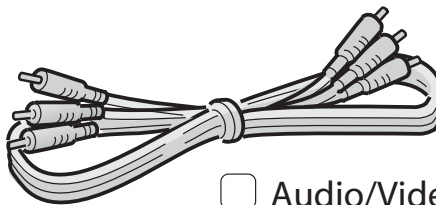
QUICK START GUIDE



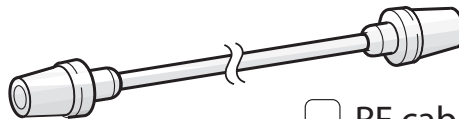
Check Accessories



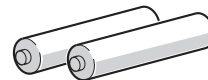
Remote control



Audio/Video cable

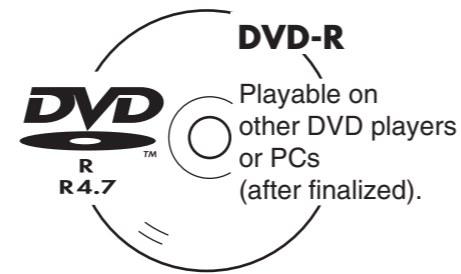
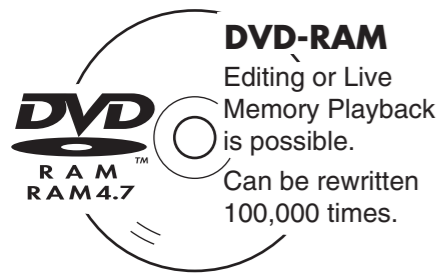


RF cable



"AA" battery x 2
(For remote control)

Recordable Discs

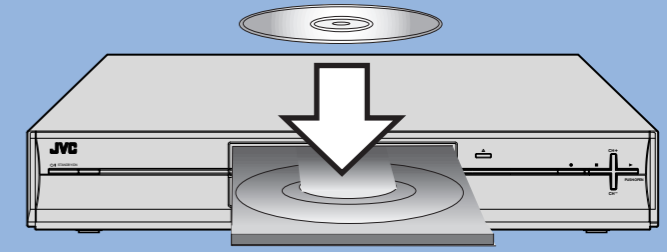


NOTE:

When you use a DVD-RW disc, format it in "VR MODE" or "VIDEO MODE".

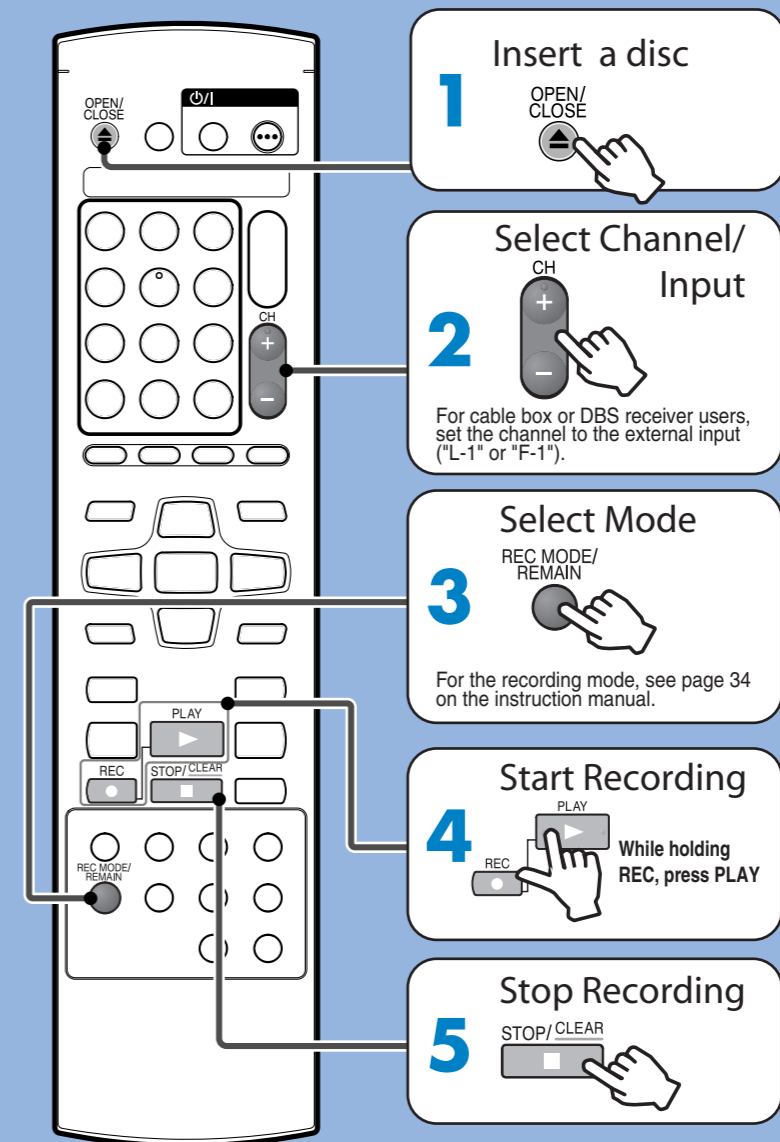
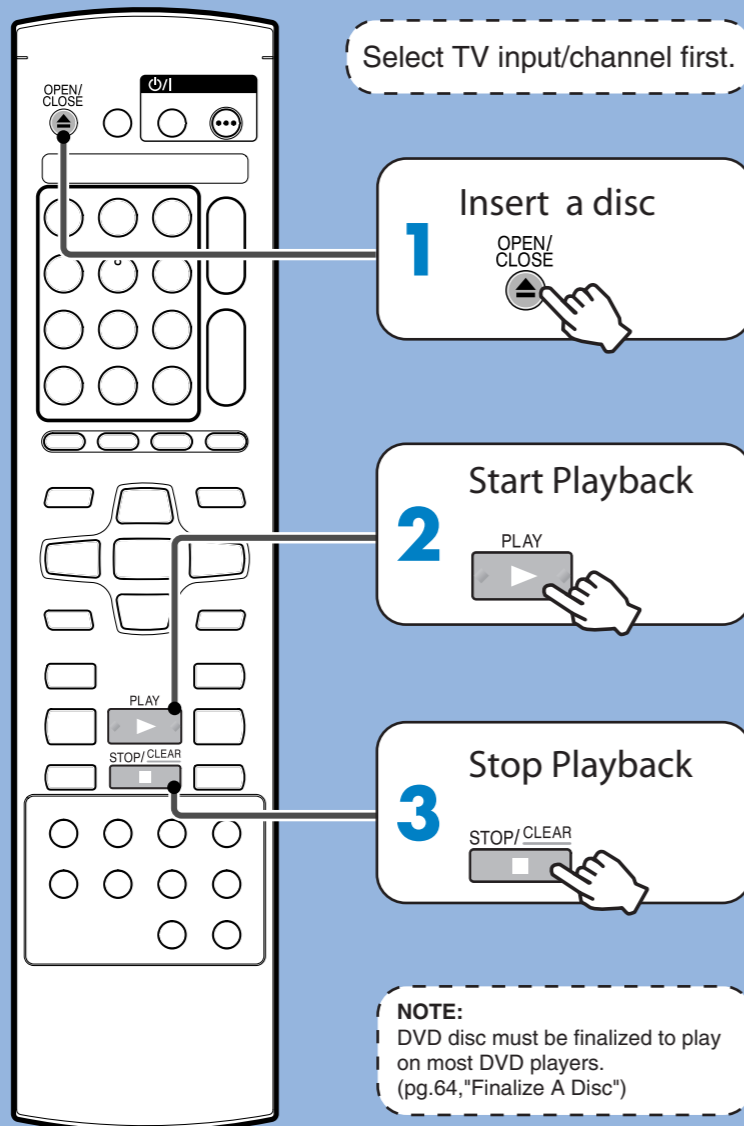
(→ pg. 63, "Format A Disc")

Inserting Disc

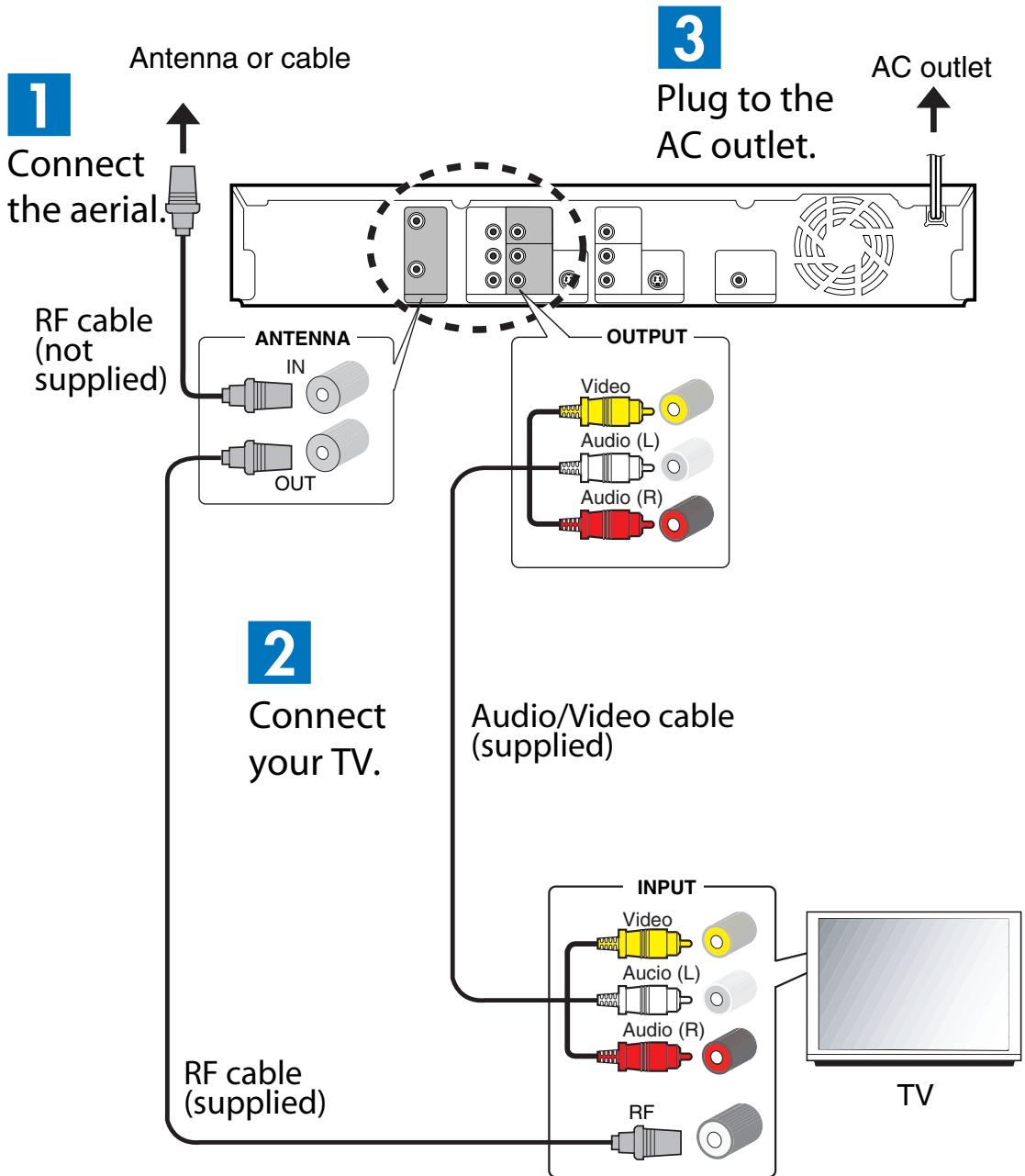


BASIC RECORDING

BASIC PLAYBACK



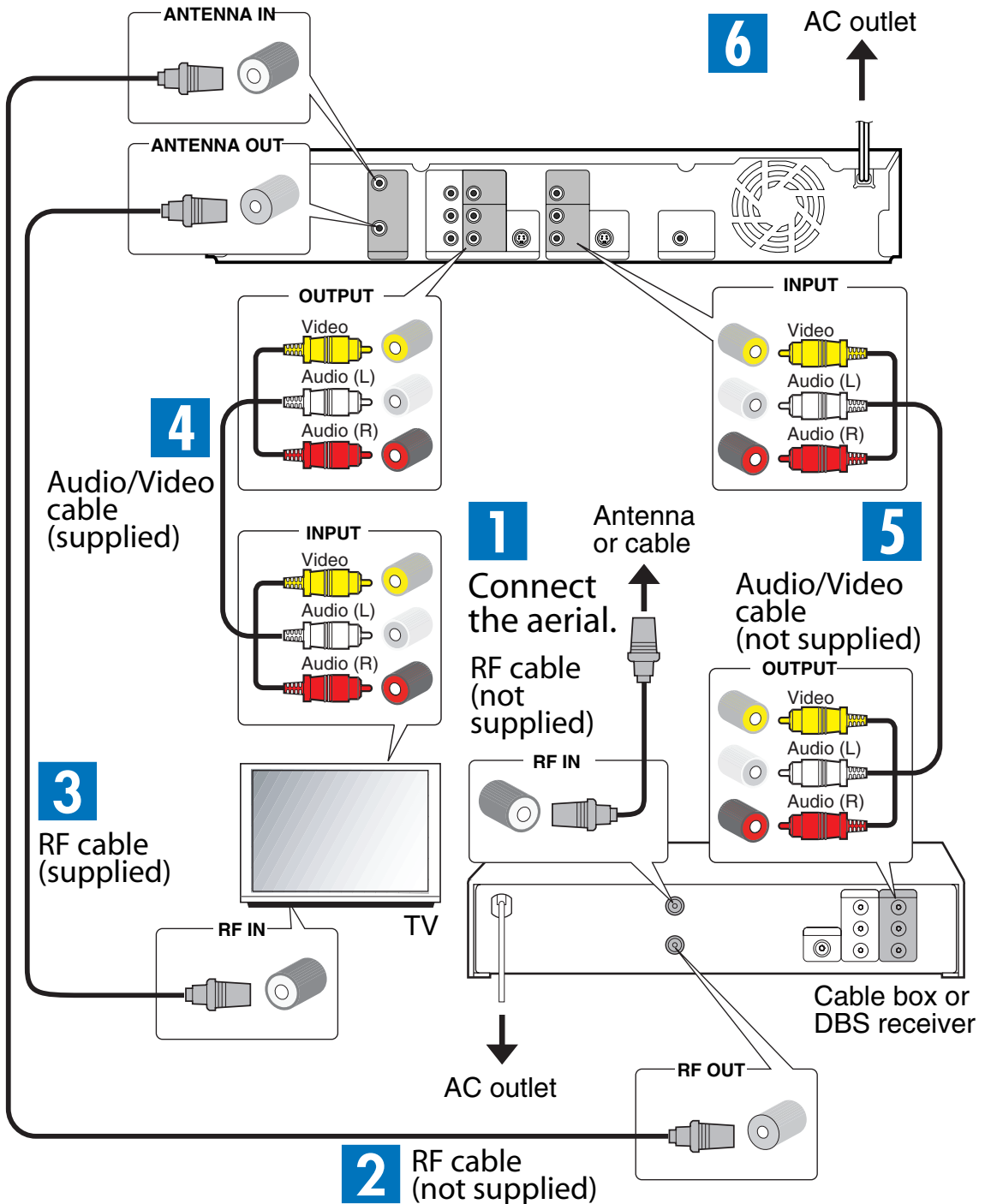
Connection Without Cable Box Or DBS Receiver



4 With antenna or cable (no cable box), wait for clock and channels to be set automatically. (→ pg. 17, "Plug & Play Set")

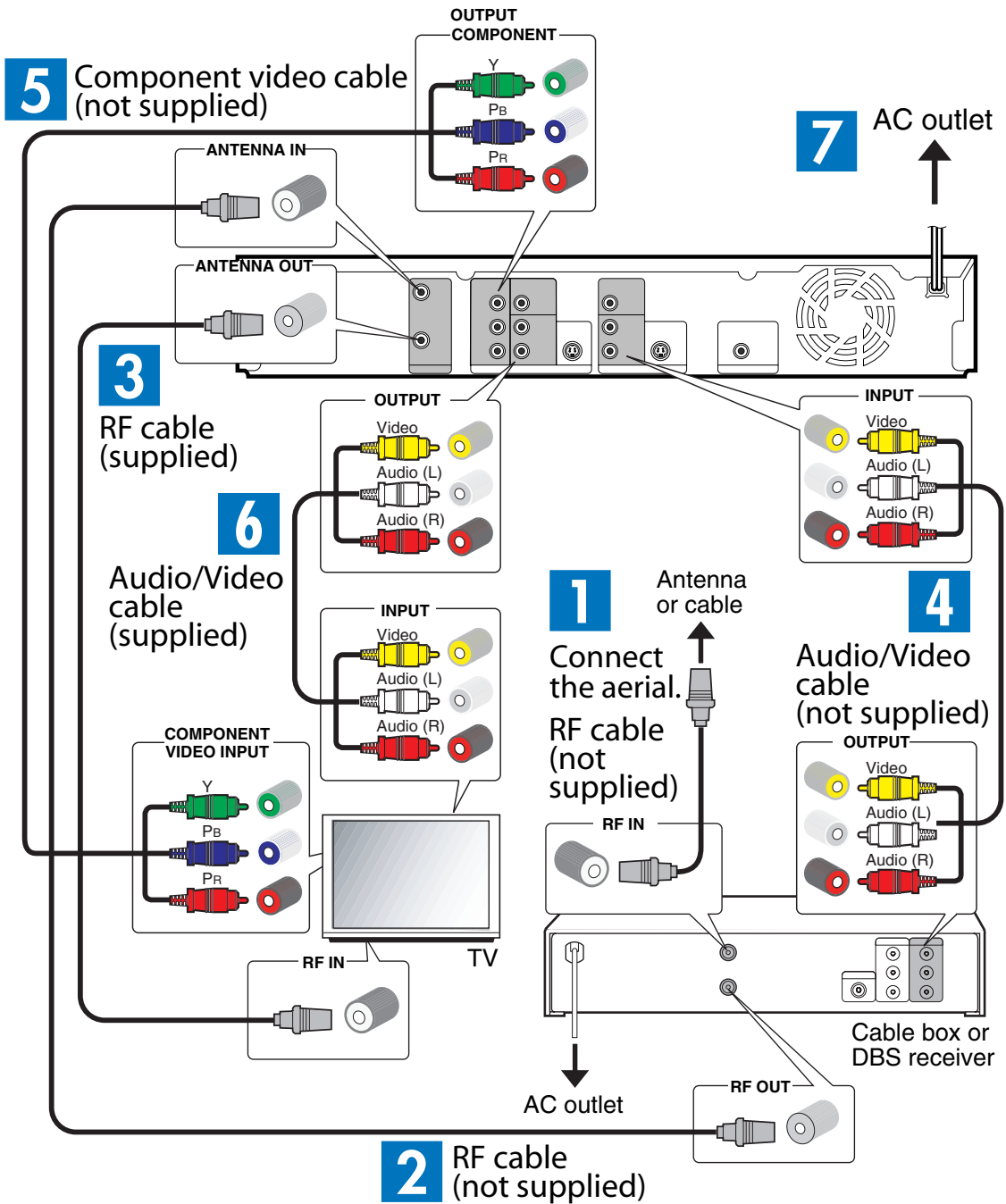
For more information, see the instruction manual. (→ pg. 16, "Basic Connection")

Connection With Cable Box Or DBS Receiver (When your TV has only audio/video connectors)



7 With antenna or cable, wait for clock and channels to be set automatically. (→ pg. 17, "Plug & Play Set")

Connection With Cable Box Or DBS Receiver (When your TV has component video connectors)



8 With antenna or cable, wait for clock and channels to be set automatically. (→ pg. 17, "Plug & Play Set")

NOTE: When watching the images with this connection, set to the progressive scan mode. (→ pg. 60, "Scan Mode Set")