

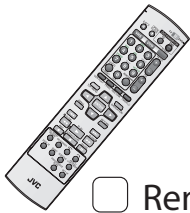
# JVC

## DR-MV5S

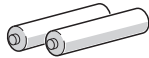
**JVC IS HERE TO HELP!**  
TOLL FREE: 1(800)252-5722  
<http://www.jvc.com>

# QUICK START GUIDE

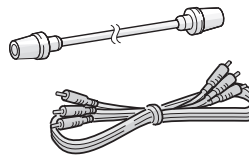
## Check Accessories



Remote control



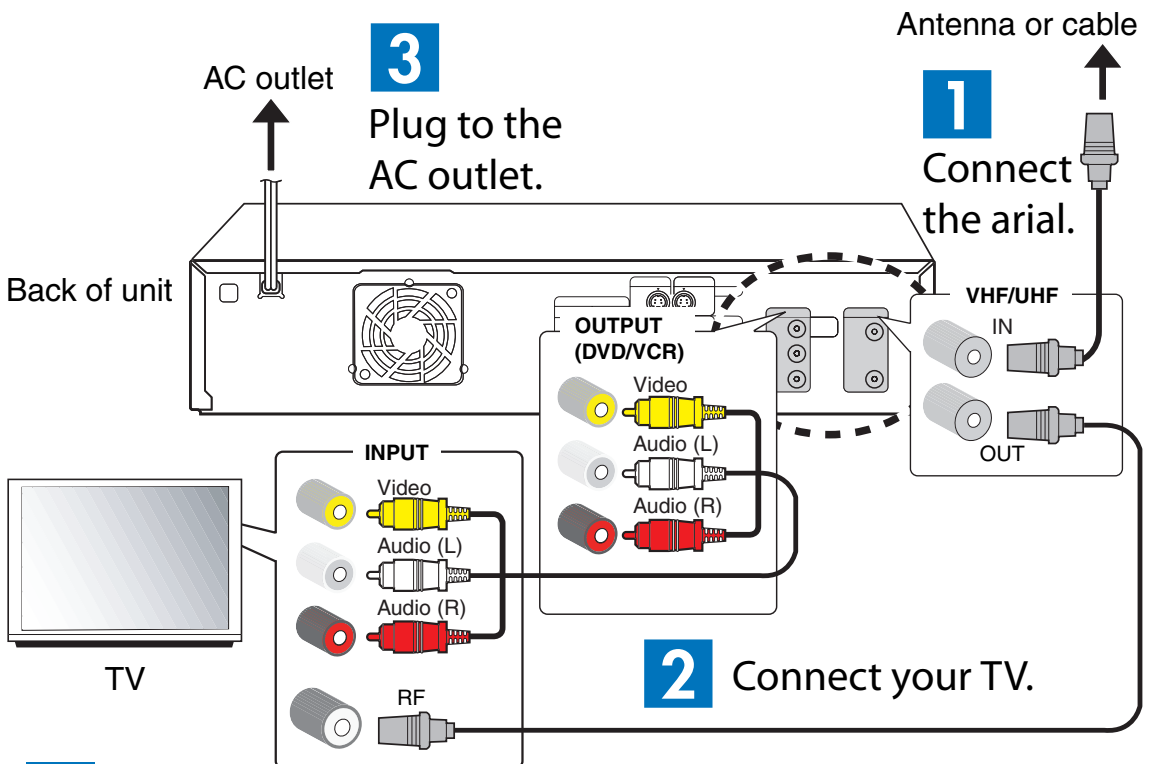
"AA" battery x 2  
(For remote control)



RF cable

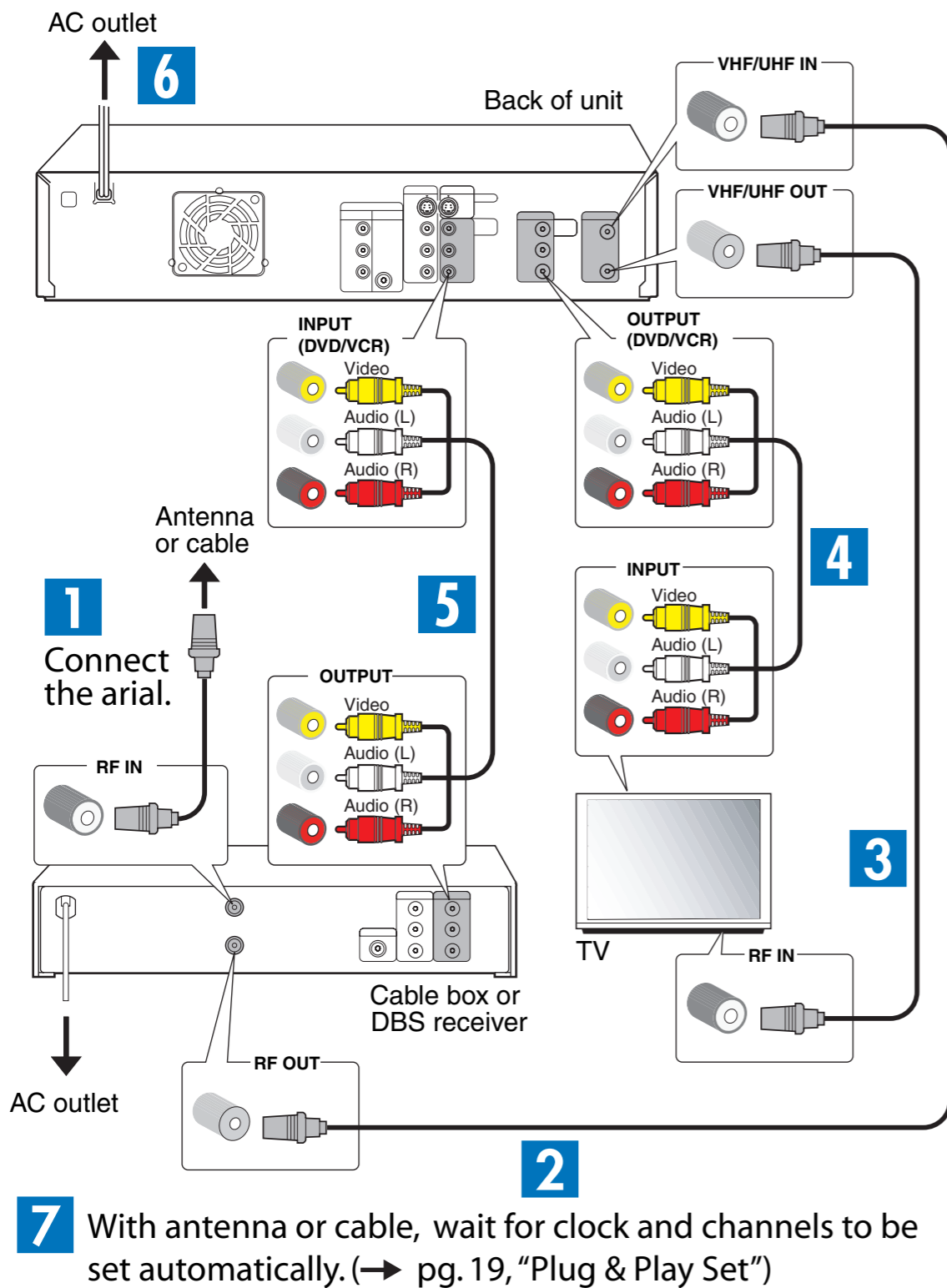
Audio/video cable

## Connection Without Cable Box Or DBS Receiver



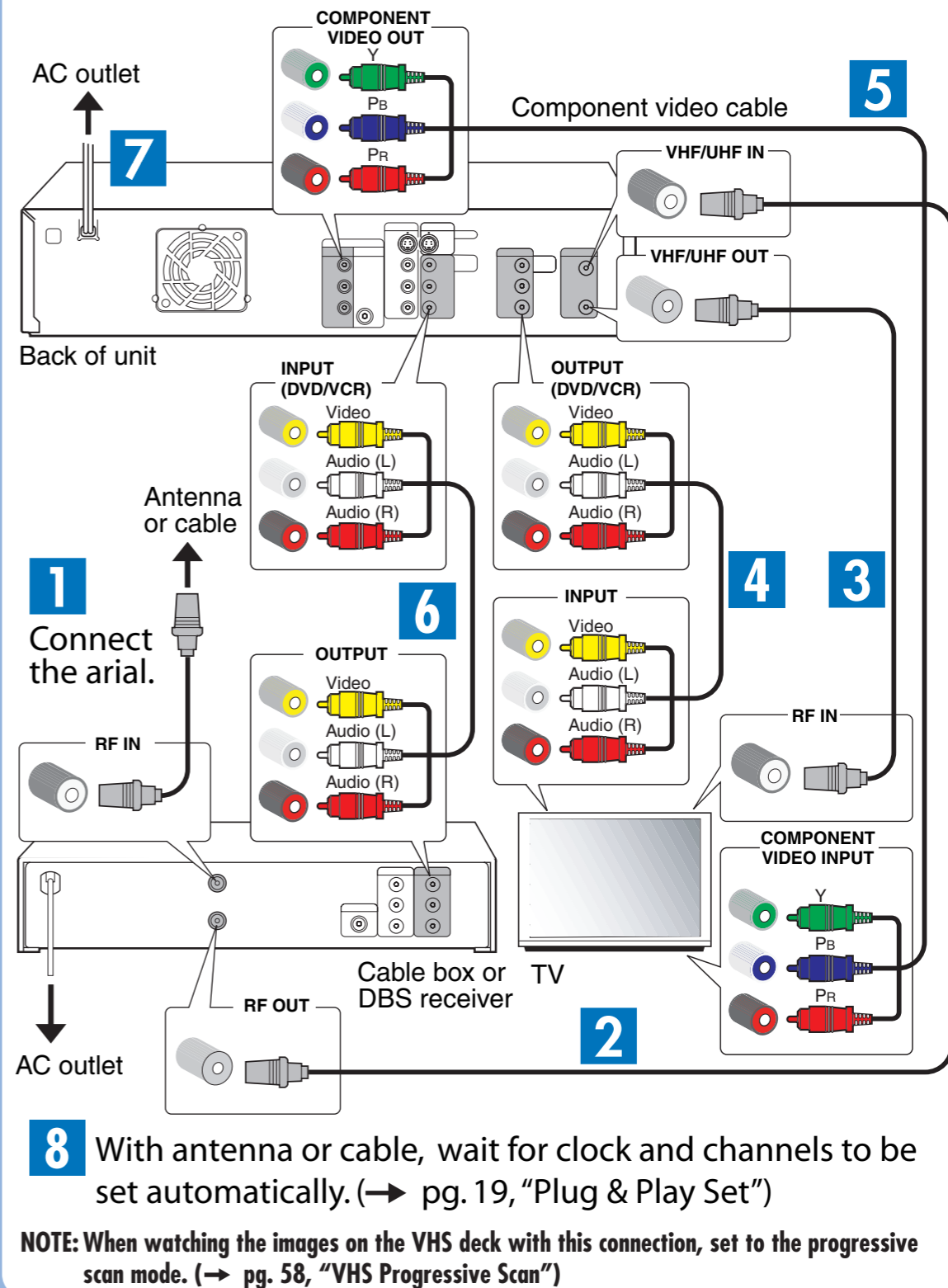
**4** With antenna or cable (no cable box), wait for clock and channels to be set automatically. (→ pg. 19, "Plug & Play Set")

## Connection With Cable Box Or DBS Receiver (When your TV has only audio/video connectors)



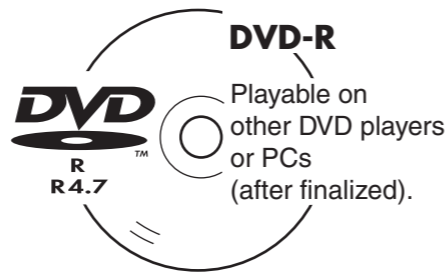
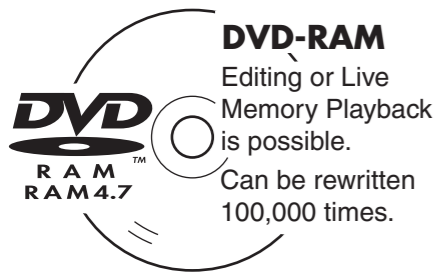
For more information, see the instruction manual. (→ pg. 17, "Composite Connection (With Cable Box Or DBS Receiver)")

## Connection With Cable Box Or DBS Receiver (When your TV has component video connectors)



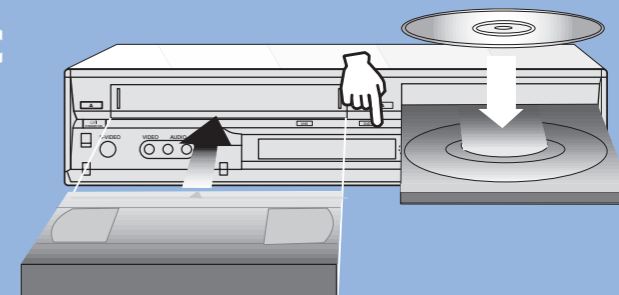
For more information, see the instruction manual. (→ pg. 18, "Component Video Connection")

# Recordable Discs



**NOTE:**  
When you use a DVD-RW disc, format it in "VR MODE" or "VIDEO MODE".  
(→ pg. 78, "Format A Disc")

# Inserting Disc or Cassette



## BASIC RECORDING

## BASIC PLAYBACK

Select TV input/channel first.

- 1** Select VHS  
**VHS**
- 2** Start Playback  
**PLAY**
- 3** Stop Playback  
**STOP/CLEAR**

- 1** Select DVD  
**DVD**
- 2** Start Playback  
**PLAY**
- 3** Stop Playback  
**STOP/CLEAR**

**NOTE:**  
DVD disc must be finalized to play on most DVD players.

- 1** Select VHS  
**VHS**
- 2** Select Channel/ Input  
**+**  
**-**  
For cable box or DBS receiver users, see page 30 on the instruction manual.
- 3** Select Mode  
**REC MODE/ REMAIN** (Tape Speed)  
For the recording mode, see page 30 on the instruction manual.
- 4** Start Recording  
**REC** While holding **REC**, press **PLAY**
- 5** Stop Recording  
**STOP/CLEAR**

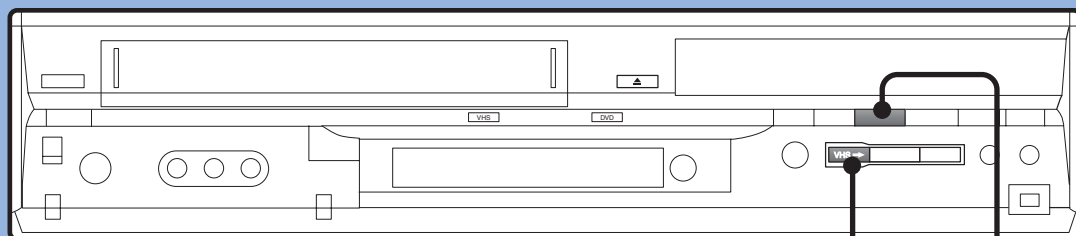
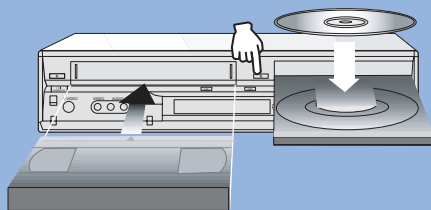
- 1** Select DVD  
**DVD**
- 2** Select Channel/ Input  
**+**  
**-**  
For cable box or DBS receiver users, see page 28 on the instruction manual.
- 3** Select Mode  
**REC MODE/ REMAIN**  
For the recording mode, see page 29 on the instruction manual.
- 4** Start Recording  
**REC** While holding **REC**, press **PLAY**
- 5** Stop Recording  
**STOP/CLEAR** Press twice

# One-Touch Expert Dubbing (VHS to DVD)



You can dub an entire cassette on a disc with the best image quality.  
(Blank parts are automatically cut.)

**1** Insert Blank Disc  
and Cassette



**2** Start Dubbing



Press more than 2 sec.

(Tape will automatically rewind to beginning.)

**3** Stop Dubbing

