

JVC

DR-MX1S

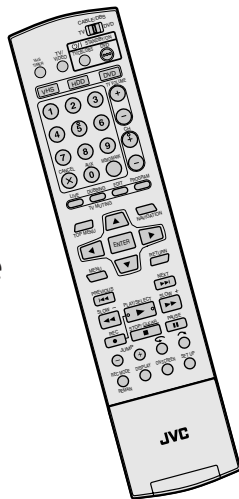
JVC IS HERE TO HELP!
TOLL FREE: 1(800)252-5722
<http://www.jvc.com>

QUICK START GUIDE

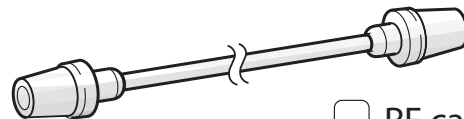


Check Accessories

Remote control

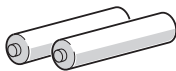


Audio/Video cable

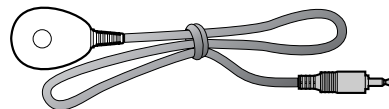


RF cable

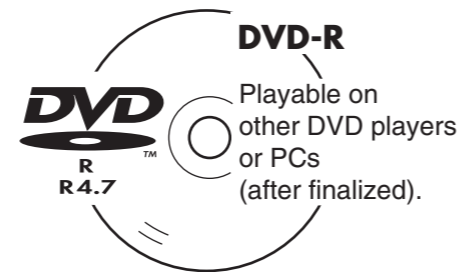
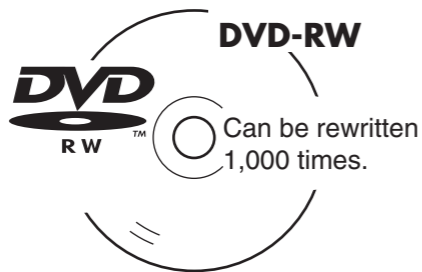
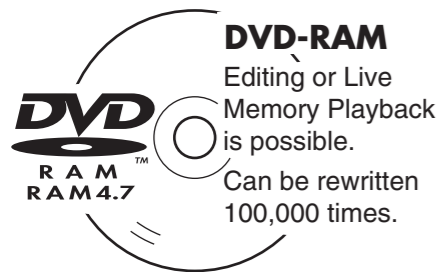
"AA" battery x 2
(For remote control)



Satellite Controller



Recordable Discs



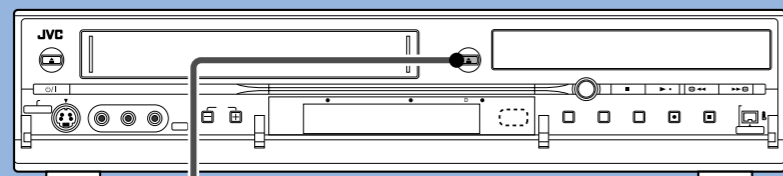
NOTE:

When you use a DVD-RW disc, format it in "VR MODE" or "VIDEO MODE".

(→ pg. 87, "Format A Disc")

DVD

BASIC PLAYBACK

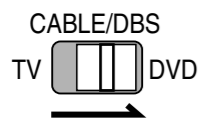


Select TV input/channel first.

1 Insert a disc



2 Slide the switch to DVD



3 Select DVD



4 Start Playback



5 Stop Playback



NOTE:

DVD disc must be finalized to play on most DVD players. (pg.88, "Finalize A Disc")

For more information, see the instruction manual. (→ pg. 27, "Basic Playback")



Basic Playback (→ pg. 46)

Basic Recording (→ pg. 44)

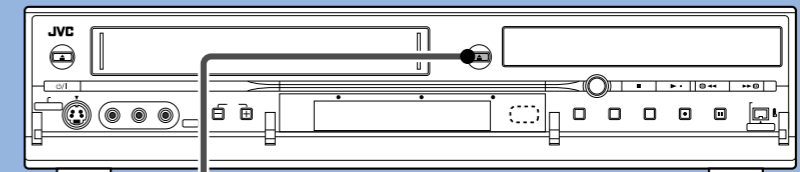


Basic Playback (→ pg. 50)

Basic Recording (→ pg. 53)

DVD

BASIC RECORDING

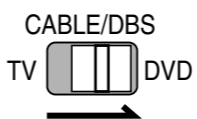


Select TV input/channel first.

1 Insert a disc



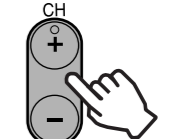
2 Slide the switch to DVD



3 Select DVD

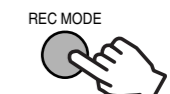


4 Select Channel/ Input



For cable box or DBS receiver users, see page 24 on the instruction manual.

5 Select Mode



For the recording mode, see page 41 on the instruction manual.

6 Start Recording

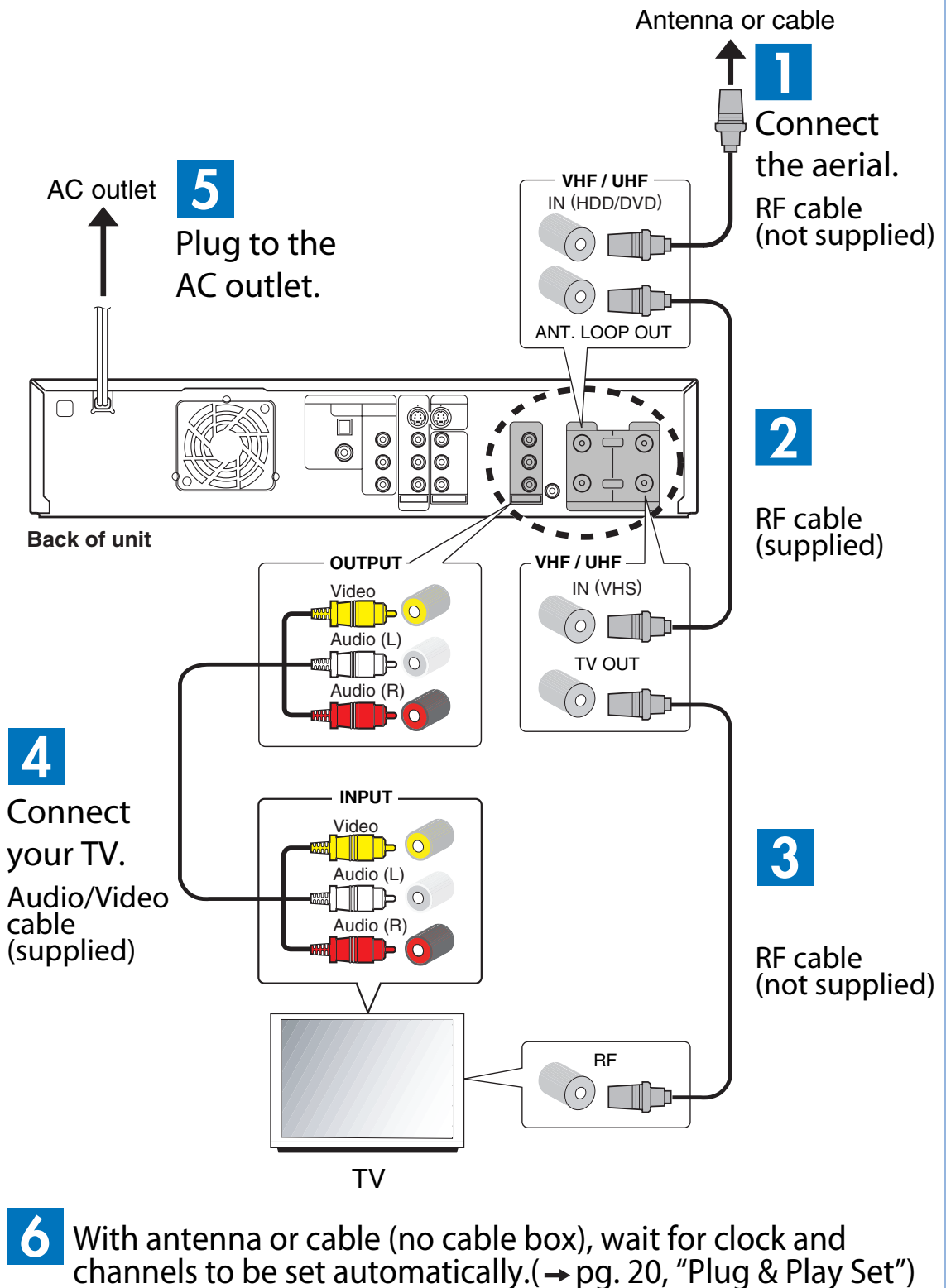


7 Stop Recording



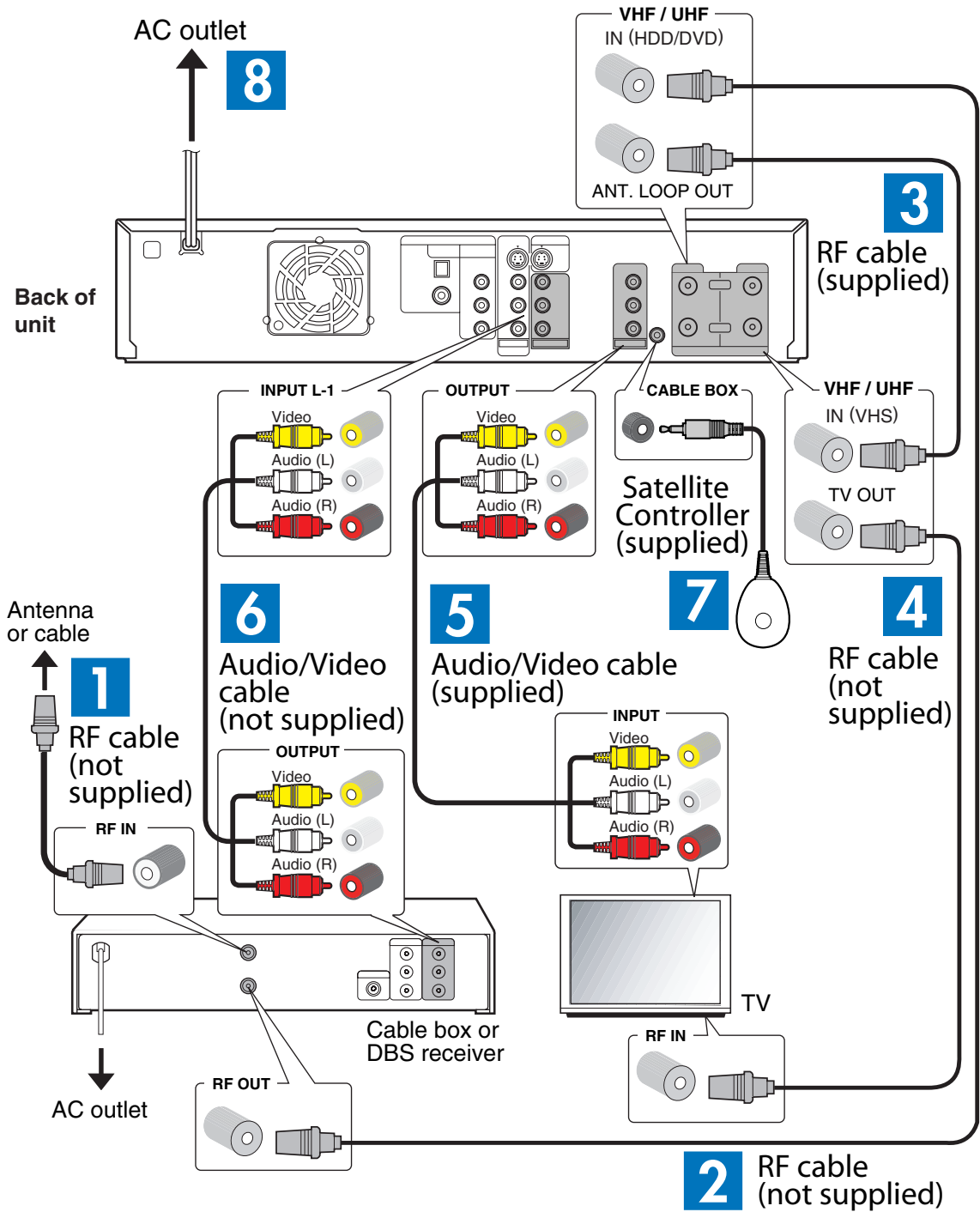
For more information, see the instruction manual. (→ pg. 41, "Basic Recording")

Connection Without Cable Box Or DBS Receiver



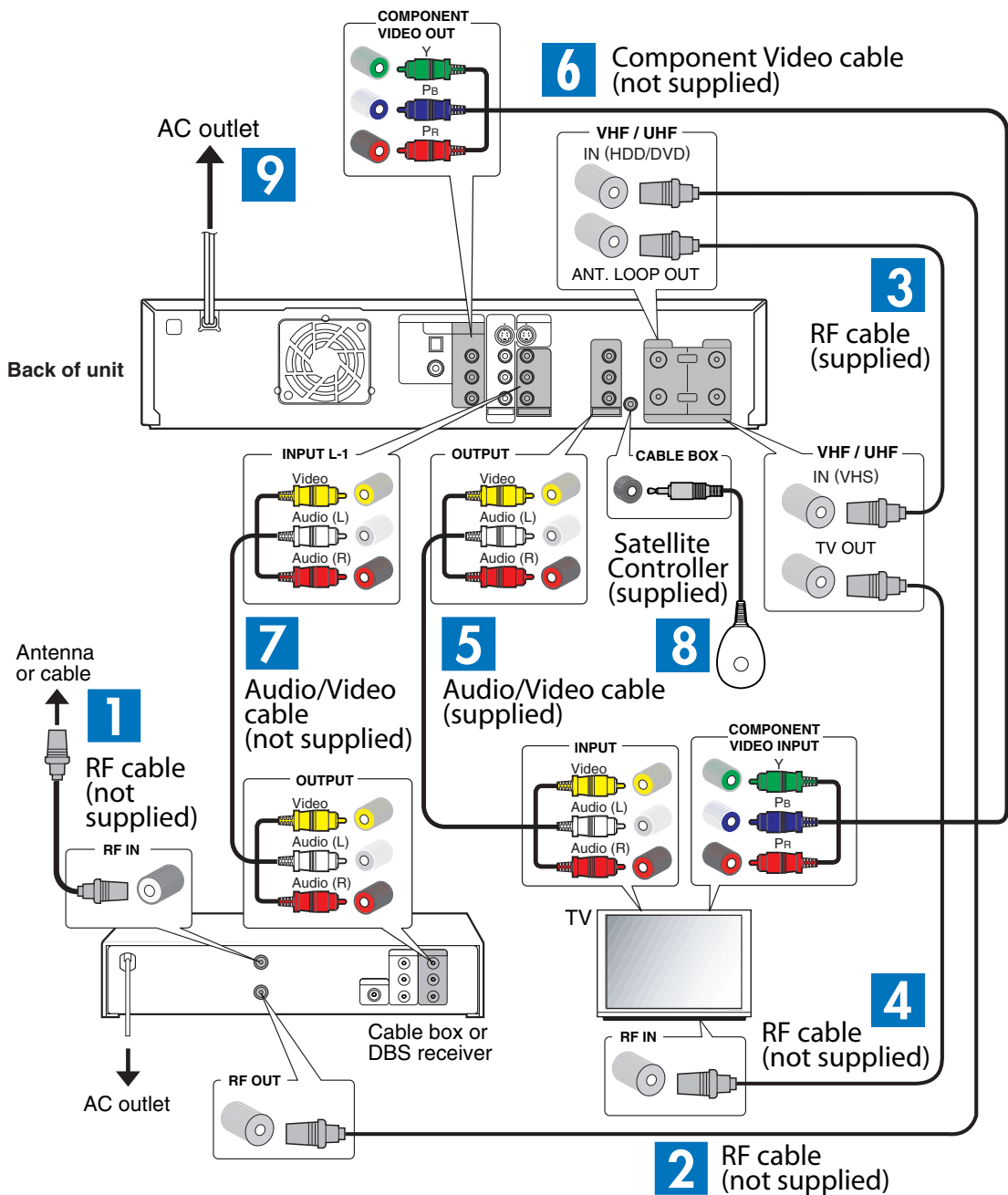
For more information, see the instruction manual. (→ pg. 19, "Basic Connections")

Connection With Cable Box Or DBS Receiver (When your TV has only audio/video connectors)



9 With antenna or cable, wait for clock and channels to be set automatically. (→ pg. 20, "Plug & Play Set")

Connection With Cable Box Or DBS Receiver (When your TV has component video connectors)



10 With antenna or cable, wait for clock and channels to be set automatically. (→ pg. 20, "Plug & Play Set")

- NOTES :**
- When watching the images on the HDD/DVD deck with this connection, set to the progressive scan mode. (→ pg. 83, "Scan Mode Set")
 - When watching the images on the VHS deck with this connection, set to the progressive scan mode. (→ pg. 52, "VHS Progressive Scan")