

ARSENAL

KS-AR7004 / KS-AR7002

LVT1700-001A
[J]

POWER AMPLIFIER: INSTRUCTIONS AMPLIFICATEUR DE PUISSANCE: MANUEL D'INSTRUCTIONS

ENGLISH



Thank you for purchasing an ARSENAL product. Please read all instructions carefully before operation, to ensure your complete understanding and to obtain the best possible performance from the unit.

For safety....

- Do not raise the volume level too much, as this will block outside sounds, making driving dangerous.
- Stop the car before performing any complicated operations.

CAUTIONS AND NOTES

This unit is designed to operate on **12 V DC, NEGATIVE ground electrical systems.**

• This unit uses BTL (Balanced Transformerless) amplifier circuitry, i.e., floating ground system, so please comply with the following:

- Do not connect the "⊖" terminals of the speakers to each other.
- Do not connect the "⊖" terminals of the speakers to the metal body or chassis.
- Cover the unused terminals with insulating tape to prevent them from short circuiting.
- When an extension lead is used, it should be as thick and short as possible; connect it firmly with insulating tape.
- Be sure to leave an appropriate space between the antenna and the wires of this unit.
- When replacing the fuse, only use a 40 A fuse.
- Do not let pebbles, sand or metallic objects get inside the unit.
- To keep the heat dissipation mechanism running effectively, wipe the accumulated dust off periodically.
- Listening to the tape, radio, CD or Digital Audio Player, etc. with the volume set at a high level for a long period of time will exhaust the battery, while the engine is turned off or while the engine is idling.
- This unit becomes very hot. Be careful not to touch the unit not only when using but for a while after using.

DO NOT disassemble the units since there are no user serviceable parts inside.

For Customer Use:

Enter below the Model No. and Serial No. which are located on the top or bottom of the cabinet. Retain this information for future reference.

Model No. _____ Serial No. _____

INSTALLATION

The following illustration shows a typical installation. However, you should make adjustments corresponding to your specific car. If you have any questions or require information regarding installation kits, consult your JVC car audio dealer or a company supplying the kits.

- Ⓐ Mount this unit on a firm surface, such as in the trunk room or under the front seat.
- Since heat is generated in the unit, do not mount it near inflammable objects. In addition, mount it in an area that will not prevent the unit from dissipating the heat.
 - Do not mount the unit in the places subject to heat: near a radiator, in a glove compartment or in insulated areas such as under a car mat that will prevent the unit from dissipating heat.
 - When mounting the unit under the front seat, make sure that adjusting the seat position will not catch any wire of the unit.
- Ⓑ When mounting this unit, be sure to use the provided screws. If any other screws are used, there is a risk of loosening the unit or damaging parts inside it.
- Before drilling holes in the trunk to install the unit, make sure that there is a sufficient space under the trunk so that you do not drill holes in the fuel tank, etc.
 - Detach the control cover on the unit before mounting (see "CONTROLS" on page 3).
 - To detach and rotate the Logo Plate 180 degrees, use the provided hex wrench (3 mm).
- Ⓒ When you use more than one KS-AR7000 series' amplifier, you can pile them up to three with provided brackets, screws and washers in two ways, **X** or **Y**. Be sure to mount the lowest amplifier (1) primarily following Ⓑ.
- Before piling amplifiers, attach the provided spacers to "+" on the bottom of the amplifiers (2) and (3).
 - Fix the amplifiers on both sides with proper brackets as illustrated. Brackets (L) are used only for the amplifier (3).
 - Before piling amplifiers as **X**, first make the connections for the power supply (see "POWER SUPPLY") and speakers (see "SPEAKER CONNECTIONS" on page 2).
 - It is recommended to pile amplifiers as **X** so that you can easily operate the controllers on each amplifier.

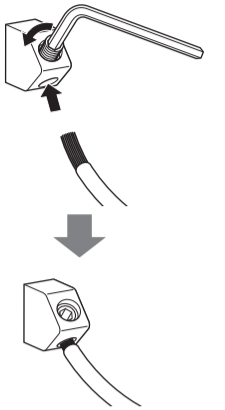
TERMINAL CONNECTIONS

When making the terminal connections...

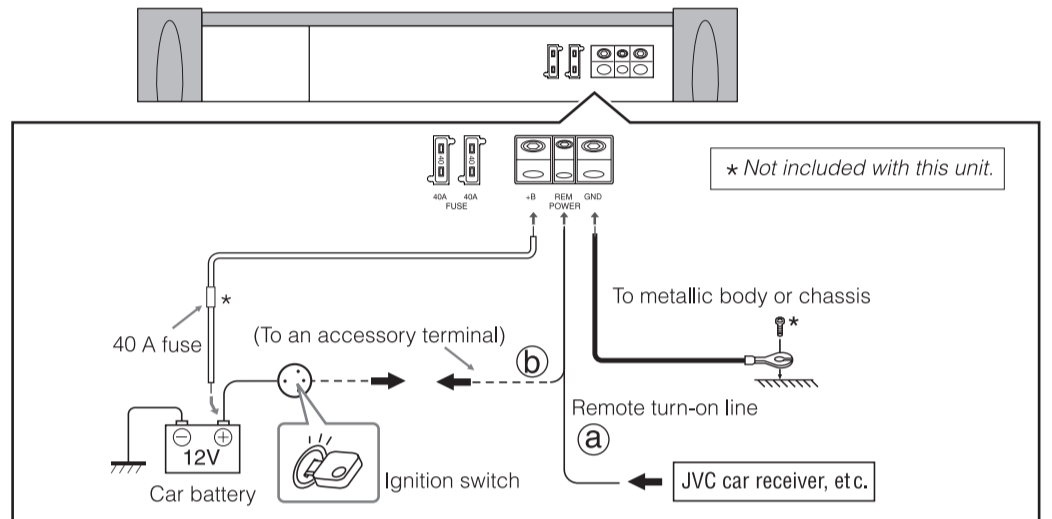
- 1** Peel the insulating vinyl cover of a cord $\frac{5}{16}$ inch (7 mm) to $\frac{7}{16}$ inch (10 mm) long and expose the inside conductor.
- 2** Loosen the hex screw in a terminal with a provided hex wrench and insert the conductor into the terminal. Then fix the hex screw again to secure the conductor.

Note

- The exposed conductor should be $\frac{5}{16}$ inch (7 mm) to $\frac{7}{16}$ inch (10 mm) long.
 - If shorter, it may cause a poor conductivity.
 - If longer, it may cause a short circuit.
- Use a proper hex wrench for each terminal.
 - 4 mm: +B terminal and GND terminal
 - 3 mm: REM terminal and speaker terminals



POWER SUPPLY



CAUTION

To prevent short circuits while making connections, keep the battery's negative terminal disconnected.

- When using a power cord (purchased separately), be sure to place the 40 A fuse near the battery as shown.
- Connect the lead wire (power cord) through which power is supplied directly to the battery's "⊕" terminal only after all the other connections have been made.

The proper lead wire connected to each POWER terminal is as follows.

- **+ B and GND:** AWG 8 to AWG 4 (The cross section is about 8 mm² to 21 mm².)
- **REM:** AWG 18 to AWG 8 (The cross section is about 0.8 mm² to 8 mm².)

- If you have any questions regarding the thickness of the power cord, etc., consult your nearest JVC car audio dealer.

- Ⓐ **When you use JVC car receiver with a remote lead**, connect to the REM terminal on this unit.
- Ⓑ **When you connect a unit without a remote lead**, connect to the accessory circuit of the car which is activated by the ignition switch. In this case, noise may occur when the car receiver is turned on or off. To avoid this noise, do not turn on or off the car receiver itself. You can turn on or off the car receiver along with the on/off operation of the ignition switch.

If the POWER/PROTECTOR lamp lights in red, it indicates incorrect speaker wiring or connections (see "TROUBLESHOOTING" on page 3). Make sure to correct speaker wiring and other connections.

SPEAKER SYSTEMS

Make sure to comply with the following notes:

- Be sure not to connect the "⊖" terminals of the speakers to a common point.
- If the ground wire is common to both left/right and front/rear speaker wirings, this unit cannot be used. Always use the independent lead wires for the speakers to be used. In this case, redo the wirings.
- Use the speakers with an impedance of 2 Ω to 8 Ω (4 Ω to 8 Ω: when used in Bridge Mode).
- Use the speakers which have sufficient capacity to the unit.

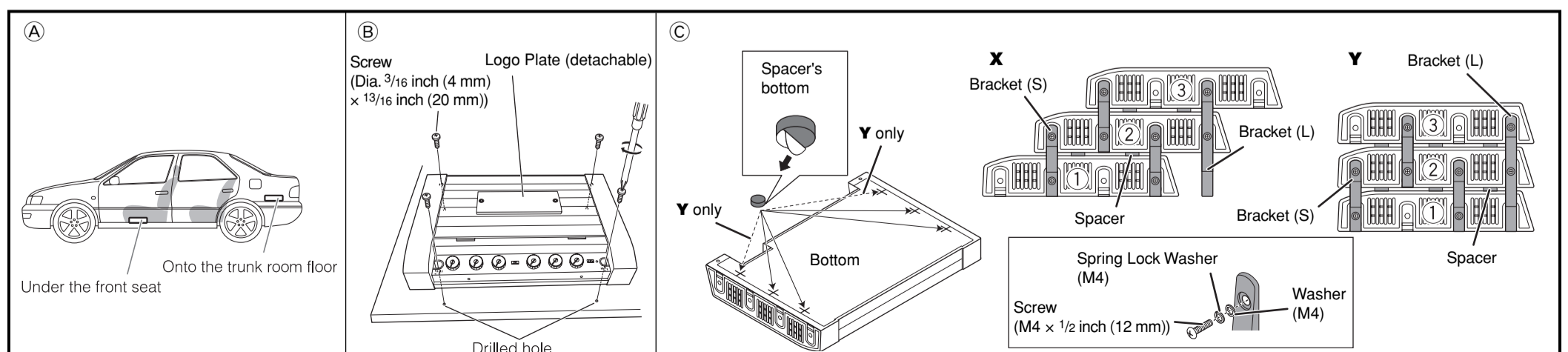
The proper lead wire connected to each SPEAKER OUTPUT terminal is as follows.
AWG 18 to AWG 8 (The cross section is about 0.8 mm² to 8 mm².)

For KS-AR7004:

When you connect 4 speakers to the unit, down mixed signals (front and rear) are emitted through the PRE OUT jacks.

For KS-AR7002:

Incoming signals are emitted through the PRE OUT jacks.



SPEAKER CONNECTIONS

Connection varies depending on the number of the speakers used in your car. Select the appropriate connection referring to the following diagrams.

Before connecting: Securely connect all the parts. If the connections are loose, due to contact resistance etc., heat will break out and may cause an accident. Secure and cover the cords with insulating tape and run them under the car mats.

KS-AR7004

4-speaker system

a JVC car receiver, etc.

Line Out (Front) Line Out (Rear)

Front Speaker (left/right) Rear Speaker (left/right)

Top of the unit

b Speaker input connector

Connector lead	Speaker lead	Connector lead	Speaker lead
A White (stripe)	Front left (-)	E Green (stripe)	Rear left (-)
B White	Front left (+)	F Green	Rear left (+)
C Gray (stripe)	Front right (-)	G Purple (stripe)	Rear right (-)
D Gray	Front right (+)	H Purple	Rear right (+)

2-speaker system plus subwoofer—Bridge Mode*2

a JVC car receiver, etc.

Line Out (Front) Line Out (Rear) or Subwoofer Out

Front Speaker (left/right) Subwoofer

Top of the unit

b Speaker input connector

Connector lead	Speaker lead	Connector lead	Speaker lead
A White (stripe)	Front left (-)	E Green (stripe)*3	Rear left (-)
B White	Front left (+)	G Purple (stripe)*3	Rear left (+)
C Gray (stripe)	Front right (-)	F Green*3	Rear right (-)
D Gray	Front right (+)	H Purple*3	Rear right (+)

2-speaker system—Bridge Mode*2

a JVC car receiver, etc.

Line Out

Front Speaker (left/right)

Top of the unit

b Speaker input connector

Connector lead	Speaker lead	Connector lead	Speaker lead
A White (stripe)*3	Left (-)	E Green (stripe)*3	Right (-)
C Gray (stripe)*3	Left (+)	G Purple (stripe)*3	Right (+)
B White*3	Left (-)	F Green*3	Right (-)
D Gray*3	Left (+)	H Purple*3	Right (+)

4-speaker system plus subwoofer (PRE OUT)

Down mixed signals are emitted through PRE OUT jacks.

a JVC car receiver, etc.

Line Out (Front) Line Out (Rear)

Front Speaker (left/right) Rear Speaker (left/right)

Top of the unit

b Speaker input connector

Connector lead	Speaker lead	Connector lead	Speaker lead
A White (stripe)	Front left (-)	E Green (stripe)	Rear left (-)
B White	Front left (+)	F Green	Rear left (+)
C Gray (stripe)	Front right (-)	G Purple (stripe)	Rear right (-)
D Gray	Front right (+)	H Purple	Rear right (+)

Subwoofer System

ARSENAL amplifier: KS-AR7501D/ KS-AR7001

- When your receiver is equipped with Line Output, connect the Line Output (through the receiver) to the INPUT jacks on this unit.
- When your receiver is NOT equipped with Line Output, connect the provided speaker input connector (through the receiver) to the HIGH INPUT terminal on this unit.

KS-AR7002

2-speaker system

a JVC car receiver, etc.

Line Out

Left Speaker Right Speaker

Top of the unit

b Speaker input connector

Connector lead	Speaker lead
A White (stripe)	Left (-)
B White	Left (+)
C Gray (stripe)	Right (-)
D Gray	Right (+)

Subwoofer system—Bridge Mode*2

a JVC car receiver, etc.

Line Out or Subwoofer Out

Top of the unit

b Speaker input connector

Connector lead	Speaker lead
A White (stripe)*3	Left (-)
C Gray (stripe)*3	Left (+)
B White*3	Left (-)
D Gray*3	Left (+)

Subwoofer

2-speaker system (2 amplifiers)—Bridge Mode*2

a JVC car receiver, etc.

Line Out

Top of the unit

b Speaker input connector

Connector lead	Speaker lead
A White (stripe)*3	Left (-)
C Gray (stripe)*3	Left (+)
B White*3	Left (-)
D Gray*3	Left (+)

Left Speaker Right Speaker

b Speaker input connector

Connector lead	Speaker lead
A White (stripe)*3	Right (-)
C Gray (stripe)*3	Right (+)
B White*3	Right (-)
D Gray*3	Right (+)

2-speaker system plus subwoofer (PRE OUT)

a JVC car receiver, etc.

Line Out

Left Speaker Right Speaker

Top of the unit

b Speaker input connector

Connector lead	Speaker lead
A White (stripe)	Left (-)
B White	Left (+)
C Gray (stripe)	Right (-)
D Gray	Right (+)

Subwoofer System

ARSENAL amplifier: KS-AR7501D/ KS-AR7001

*1 Not provided for this unit.

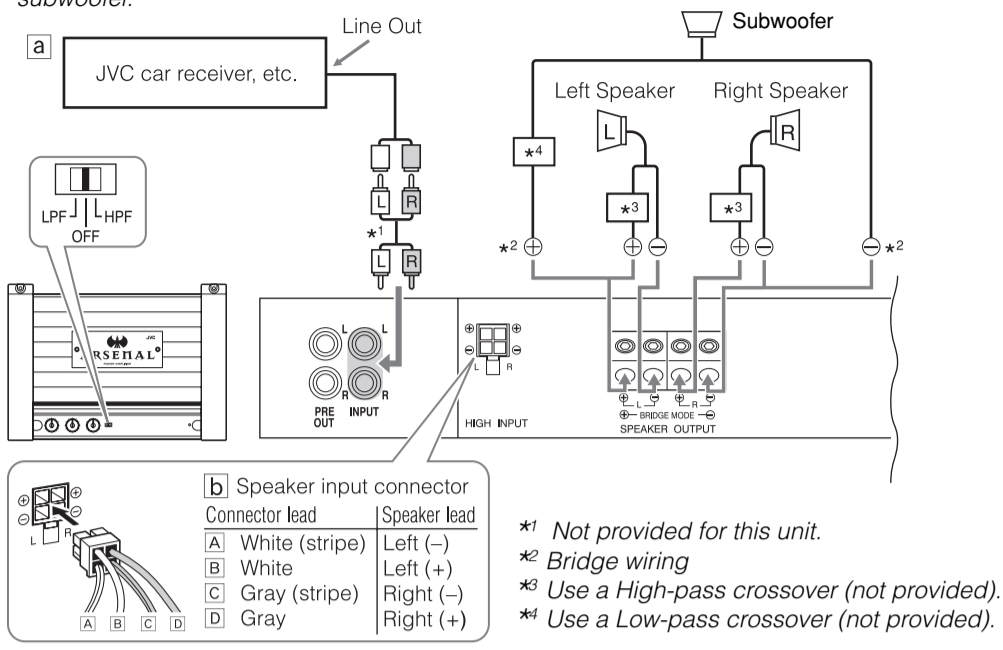
*2 Bridge Mode: Be sure to connect the line output from the receiver to the left (L) jack on this unit.

*3 Be sure to connect the both leads to the target speaker lead.

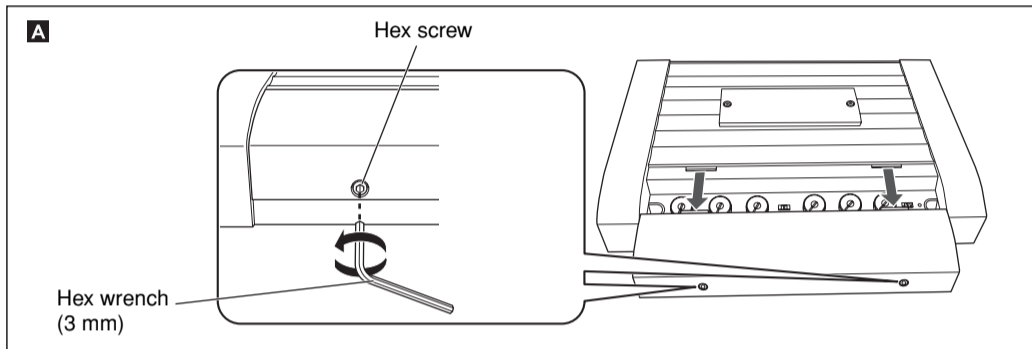
KS-AR7002

2-speaker system plus subwoofer (1 amplifier)

The minimum impedance should be 4 Ω for each of left and right speakers, and the subwoofer.

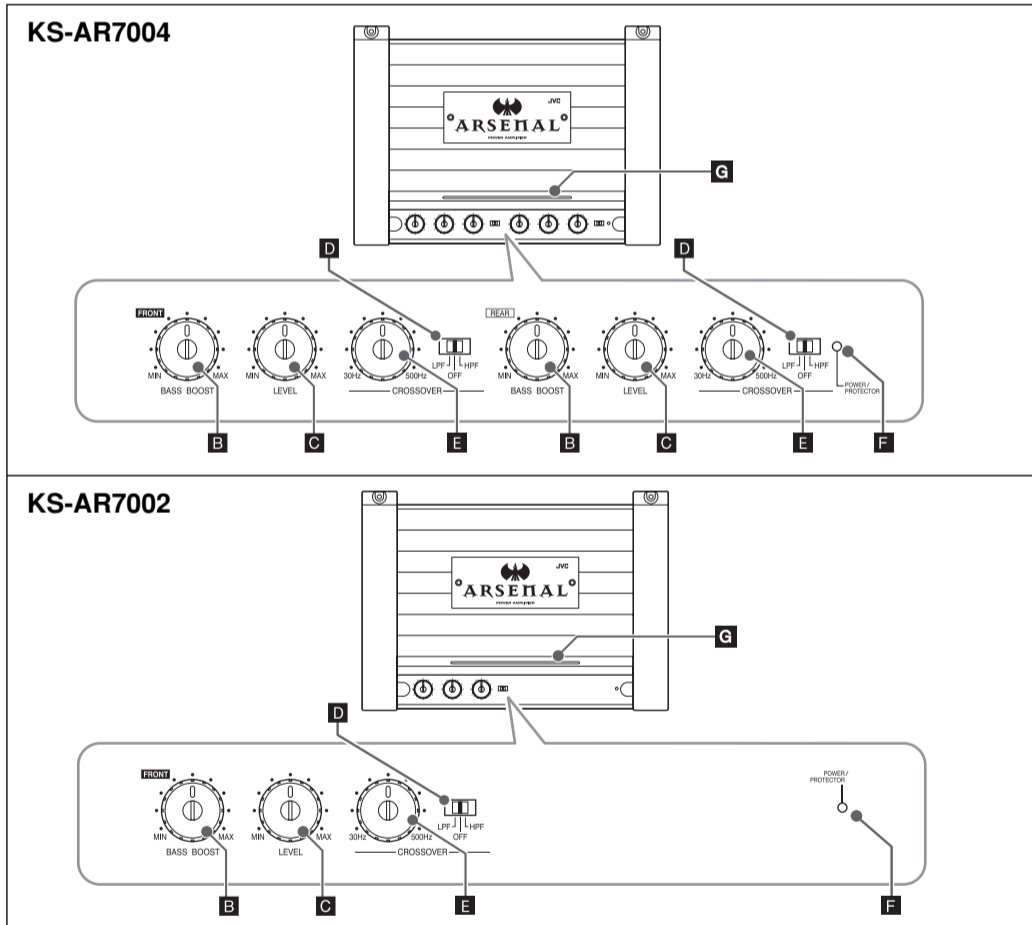


CONTROLS



A Control cover

To operate the following controls, remove the hex screws with a provided hex wrench (3 mm) and detach the control cover. Attach it again after your operation.



B BASS BOOST controller

Turning this boosts the 45 Hz frequency within the range of 0 dB to +18 dB. Adjust the level while listening to the sound. This control is preset to MIN when the unit is shipped.

C Input LEVEL controller

The input level can be adjusted with this control when this unit is connected to other source equipment. Adjust the level while listening to the sound. This control is preset to MIN when the unit is shipped.

D CROSSOVER filter switch

OFF: Normally, set to this position. The switch is preset to this position when the unit is shipped.

LPF: Set to this position when you want to turn on the LPF (Low-Pass Filter) switch (the Low-Pass Filter transmits frequencies lower than the cutoff frequency).

HPF: Set to this position when you want to turn on the HPF (High-Pass Filter) switch (the High-Pass Filter transmits frequencies higher than the cutoff frequency).

E CROSSOVER frequency controller

Turning this adjusts the cutoff frequency within the range of 30 Hz to 500 Hz. Adjust the level while listening to the sound. This control is preset to 30 Hz when the unit is shipped.

F POWER/PROTECTOR lamp

The lamp lights in green while the unit is turned on. When the lamp does not light or lights in red with the unit on, it indicates there may be any trouble (see "TROUBLESHOOTING").

G Power Indicator

The blue lamp illuminates while the unit is turned on.

TROUBLESHOOTING

For more details, consult your JVC car audio dealer.

The POWER/PROTECTOR lamp does not light.

- Change the fuses if the current one is blown.
- Connect the ground lead securely to a metal part of the car.
- Turn on the equipment connected to this unit.
- Use a relay if your system employs too many amplifiers.
- Confirm the battery voltage (11 V to 16 V).

The POWER/PROTECTOR lamp lights in red and/or the unit heats up abnormally.

- Use the speakers of suitable impedance.
- Correct the speaker wirings if they are short-circuited.
- Leave the unit turned off for a while to cool it down.

No sound is heard.

- Confirm the connections for power supply (see "POWER SUPPLY" on page 1).
- Connect RCA pin cords to the INPUT jacks, or the speaker input connector to the HIGH INPUT terminal.

Alternator noise is heard.

- Keep the power cords away from the RCA pin cords.
- Keep the RCA pin cords away from other electrical cables in the car.
- Connect the ground lead securely to a metal part of the car.
- Make sure the negative speaker leads do not touch the car chassis.
- Replace the plugs or use plugs with load resistors.
- Connect a bypass capacitor across the accessory switches (horn, fan, etc.).

Noise is made when you connect the unit to an AM tuner.

- Move the speaker and power cords away from the antenna lead.

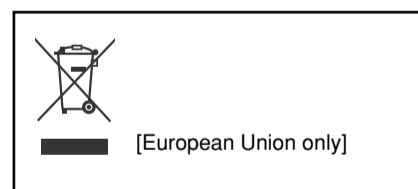
SPECIFICATIONS

Power Output	KS-AR7004: 100 W RMS x 4 channels at 4 Ω and ≤ 1% THD + N KS-AR7002: 150 W RMS x 2 channels at 4 Ω and ≤ 1% THD + N
Signal-to-Noise Ratio	80 dBA (reference: 1 W into 4 Ω)



Maximum Power Output	800 W
Load Impedance	4 Ω (2 Ω to 8 Ω allowance) 4 Ω (4 Ω to 8 Ω allowance) (Bridge Mode)
Frequency Response	5 Hz to 50 kHz* (+0, -3 dB) * Subsonic filter cuts off extremely low frequency signals less than 20 Hz.
Input Sensitivity/Impedance	2 V/45 kΩ (0.3 V to 6 V, variable)
Distortion	Less than 0.04% (at 1 kHz)
Power Requirement	DC 14.4 V (11 V to 16 V allowance)
Grounding system	Negative ground
Dimensions (W×H×D)	15-3/4 inch × 2-3/8 inch × 11-3/8 inch (400 mm × 60 mm × 288 mm)
Mass (approx.)	KS-AR7004: 11.7 lbs. (5.3 kg) KS-AR7002: 11.5 lbs. (5.2 kg)
Accessories	Speaker input connector KS-AR7004: 4P × 2 KS-AR7002: 4P × 1 Screw (Dia. 3/16 inch (4 mm) × 13/16 inch (20 mm)) × 4 Hex wrench 4 mm × 1 3 mm × 1 Spacer × 6 Bracket L × 1 S × 2 Screw (M4 × 1/2 inch (12 mm)) × 6 Washer (M4) × 6 Spring Lock Washer (M4) × 6

Design and specifications are subject to change without notice.



JVC



Merci pour avoir acheté un produit ARSENAL. Veuillez lire attentivement toutes les instructions avant d'utiliser l'appareil afin de bien comprendre son fonctionnement et d'obtenir les meilleures performances possibles.

Pour votre sécurité....

- N'augmentez pas trop le niveau du volume car cela peut bloquer les sons de l'extérieur et rendre la conduite dangereuse.
- Arrêtez la voiture avant de réaliser une opération compliquée.

ATTENTION ET REMARQUES

Cet appareil est conçu pour fonctionner avec **système électrique de 12 V CC avec mise à la masse NÉGATIVE**.

- Cet appareil utilise un circuit d'amplification BTL (symétrique sans transformateur), c'est à dire un système à masse flottante par conséquent veuillez vous conformer à ce qui suit:
Ne connectez pas les prises "⊖" des enceintes l'une à l'autre.
Ne connectez pas les prises "⊖" des enceintes au corps métallique ou au châssis.
- Recouvrir les bornes inutilisées avec du ruban isolant pour éviter de les court-circuiter.
- Si vous utilisez un fil de prolongement, celui-ci doit être aussi épais et aussi court que possible. Connectez-le solidement avec un ruban adhésif.
- Bien laisser un espace suffisant entre l'antenne et les fils de cet appareil.
- Lorsque le fusible doit être remplacé, utiliser uniquement un fusible 40 A.
- Ne pas laisser pénétrer de cailloux, de sable ou d'objets métalliques dans l'appareil.
- Pour que le mécanisme de dissipation de la chaleur fonctionne effectivement, essayer régulièrement la poussière qui s'accumule.
- Écouter la cassette, la radio, un CD, un lecteur audio numérique, etc. avec le volume réglé sur un niveau élevé pendant une longue période de temps, use la batterie quand le moteur est arrêté ou quand la voiture est au ralenti.
- Cet appareil devient très chaud. Faites attention de ne pas le toucher pendant son utilisation mais aussi après son utilisation.

NE DEMONTEZ PAS l'appareil. Il n'y a aucune pièce réparable par l'utilisateur à l'intérieur.

INSTALLATION

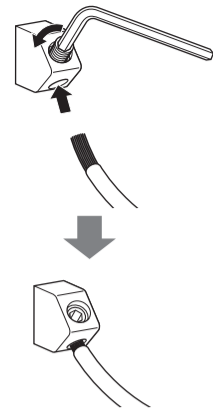
L'illustration suivante est un exemple d'installation typique. Cependant, vous devez faire les ajustements correspondant à votre voiture particulière. Si vous avez des questions ou avez besoin d'information sur des kits d'installation, consulter votre revendeur d'autoradios JVC ou une compagnie d'approvisionnement.

- A** Montez cet appareil sur une surface ferme, telle que dans le coffre ou sous un siège avant.
- Ne montez pas l'appareil près d'objets inflammables car il produit de la chaleur. De plus, montez-le dans un endroit qui ne gênera pas la dissipation de la chaleur de l'appareil.
 - Ne montez pas l'appareil dans un endroit sujet à la chaleur, comme près d'un radiateur, dans la boîte à gants ou dans un endroit fermé tel que sous un tapis de sol, qui empêchera la bonne dissipation de la chaleur.
 - Lorsque vous monter l'appareil sous le siège avant, assurez-vous que vous pouvez ajuster la position du siège sans qu'aucun fil ne soit accroché.
- B** Lors du montage de cet appareil, assurez-vous d'utiliser les vis fournies. Si vous utilisez d'autres vis, l'appareil risque de se desserrer et des pièces internes peuvent être endommagées.
- Avant de percer des trous dans le coffre pour installer l'appareil, s'assurer qu'il y a un espace suffisant sous le coffre pour ne pas faire de trous dans le réservoir de carburant, etc.
 - Détacher le couvercle du boîtier de commande de l'unité avant de procéder au montage (voir "COMMANDES" page 3).
 - Pour détacher et tourner la plaque de logo de 180 degrés, utilisez la clé hexagonale fournie (3 mm).
- C** En cas d'utilisation de plusieurs amplificateurs de la série KS-AR7000, il est possible d'en empiler trois à l'aide des supports, vis et rondelles fournis de deux manières différentes, **X** ou **Y**. S'assurer de monter d'abord l'amplificateur le plus bas (1) en suivant **B**.
- Avant de les empiler, placer les entretoises fournies sur "+" au bas des amplificateurs (2) et de (3).
 - Fixer les amplificateurs des deux côtés à l'aide de support adéquats, comme indiqué. Les supports (L) sont utilisés uniquement pour l'amplificateur (3).
 - Avant d'empiler les amplificateurs selon la méthode **X**, réaliser d'abord les connexions de l'alimentation électrique (voir "ALIMENTATION") et des haut-parleurs (voir "CONNEXION DES ENCEINTES" page 2).
 - Il est recommandé d'empiler les amplificateurs en suivant la méthode **X** afin de pouvoir aisément utiliser les contrôleurs sur chaque amplificateur.

CONNEXIONS DES PRISES

Lors de la réalisation de la connexion des prises...

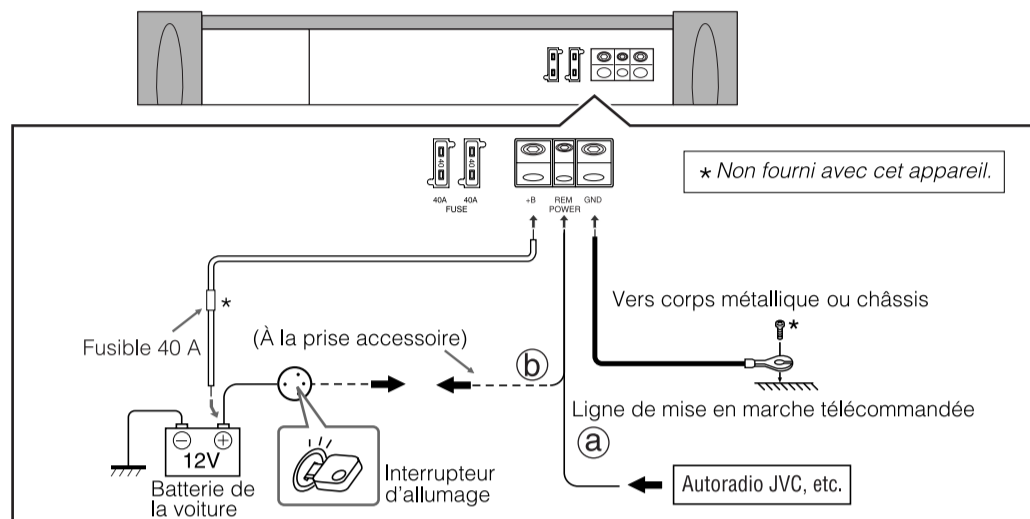
- 1 Retirez l'isolant de vinyle du cordon sur une longueur de 7 mm (5/16 po.) à 10 mm (7/16 po.) et mettez à nu le conducteur intérieur.
- 2 Desserrez la vis à tête hexagonale de la prise avec la clé hexagonale fournie et insérez le conducteur dans la prise. Puis remettez en place la vis à tête hexagonale pour fixer le conducteur.



Remarque

- La partie exposée du conducteur doit être d'une longueur de 7 mm (5/16 po.) à 10 mm (7/16 po.).
– Si elle est plus courte, la conductivité risque d'être mauvaise.
– Si elle est plus longue, cela peut causer un court-circuit.
- Une utilisez un clé hexagonale correcte pour chaque prise.
– 4 mm: Prise + B et prise GND
– 3 mm: Borne REM et bornes des haut-parleurs

ALIMENTATION



ATTENTION

Pour éviter les courts-circuits lors des connexions, laissez la borne négative de la batterie débranchée.

- Lors de l'utilisation d'un cordon d'alimentation (vendu séparément), assurez-vous de place un fusible de 40 A près de la batterie, comme montré.
- Connectez le fil (cordon d'alimentation) à travers lequel l'alimentation est fournie directement à la borne "⊕" de la batterie uniquement après que toutes les autres connexions sont terminées.

Le fil correct connecté à chaque prise POWER est indiqué ci-après.

- + B et GND: AWG 8 à AWG 4 (la section est d'environ 8 mm² à 21 mm².)
- REM: AWG 18 à AWG 8 (la section est d'environ 0,8 mm² à 8 mm².)

- Si vous avez des questions concernant la grosseur du cordon d'alimentation, etc., consulter votre revendeur d'autoradios JVC le plus proche.

- a** Si vous utilisez un autoradio JVC muni d'un fil de télécommande, connectez à la prise REM de cet appareil.
- b** Si vous utilisez un autoradio JVC sans fil de télécommande, connectez au circuit accessoire de la voiture qui est mis sous tension avec le commutateur d'allumage. Dans ce cas, du bruit peut se produire quand l'autoradio est mis sous ou hors tension. Pour éviter ce bruit, ne mettez pas directement l'autoradio sous ou hors tension. Vous pouvez le mettre sous ou hors tension en même temps que le commutateur d'allumage de votre voiture.

Si le témoin POWER/PROTECTOR s'allume en rouge, cela signifie que le câblage des enceintes ou les connexions sont incorrects (référez-vous à "EN CAS DE DIFFICULTÉS" à la page 3). Assurez-vous que le câblage des enceintes et les autres connexions sont corrects.

SYSTÈMES D'ENCEINTES

Assurez-vous de respecter les points suivants:

- Ne pas raccorder les bornes "⊖" des haut-parleur à un point commun.
- Si le fil de masse est commun aux câblages des enceintes gauche/droite et avant/arrière, cet appareil ne peut pas être utilisé. Utilisez toujours des fils de masse indépendants pour chaque enceinte utilisée. Refaites les câblages si nécessaire.
- Utilisez des enceintes avec une impédance comprise entre 2 Ω et 8 Ω (4 Ω et 8 Ω: lors de l'utilisation du mode de connexion en pont).
- Utilisez des enceintes d'une capacité suffisante avec l'appareil.

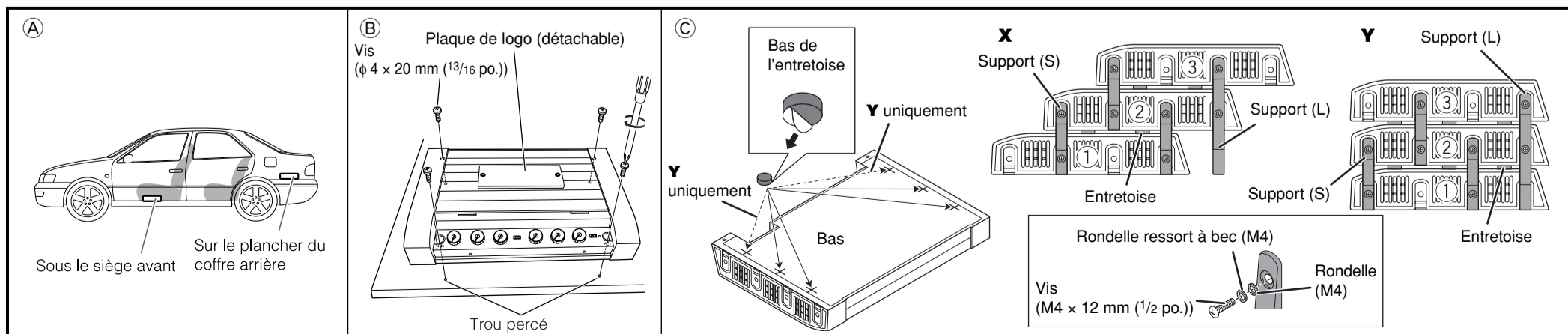
Le fil correct connecté à chaque prise SPEAKER OUTPUT est indiqué ci-après.
AWG 18 à AWG 8 (la section est d'environ 0,8 mm² à 8 mm².)

Pour le **KS-AR7004**:

Quand vous connectez 4 enceintes à l'appareil, des signaux sous-mixés (avant et arrière) sont sortis par les prises PRE OUT.

Pour le **KS-AR7002**:

Les signaux d'entrée sont sortis par les prises PRE OUT.



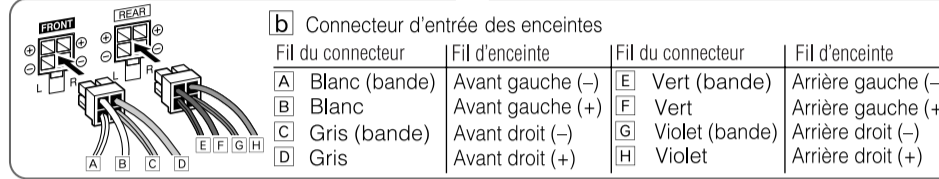
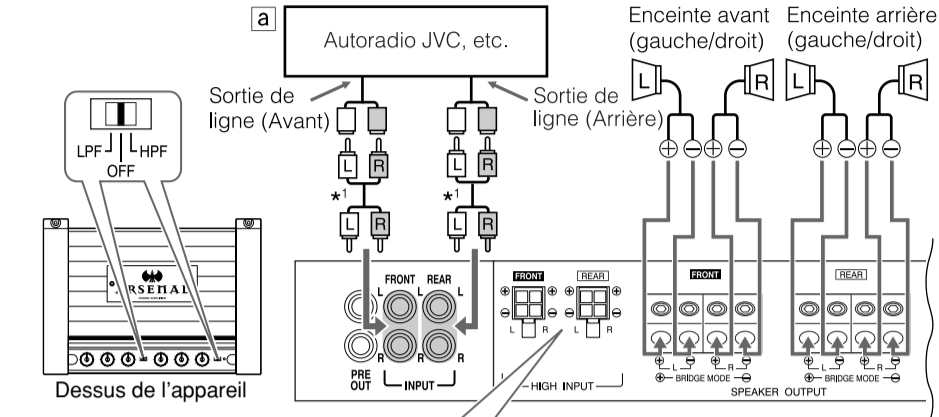
CONNEXION DES ENCEINTES

La connexion varie en fonction du nombre d'enceintes utilisées dans votre voiture. Choisissez la connexion appropriée en vous référant aux illustrations suivantes.

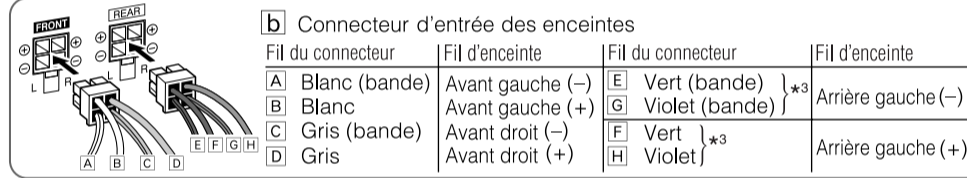
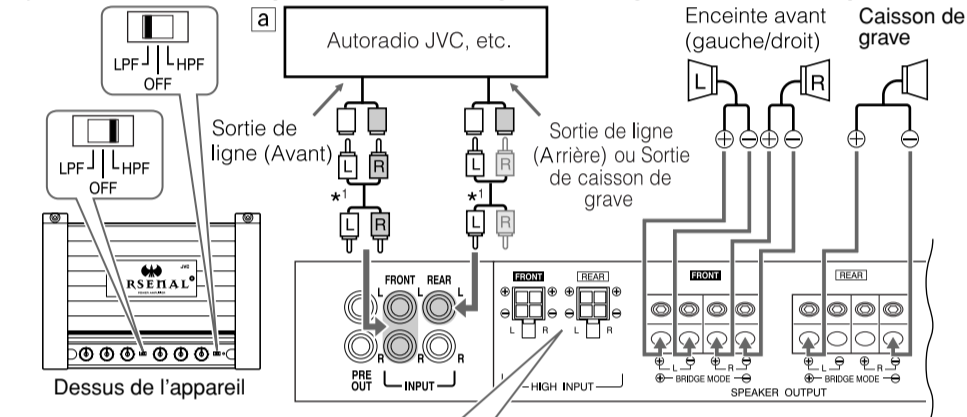
Avant de commencer la connexion: Connectez solidement toutes les pièces. Si les connexions sont lâches, à cause de la résistance des contacts, etc., de la chaleur peut se dégager et causer un accident. Fixez et recouvrez les fils avec un ruban isolant et faites-les passer sous les tapis de sol.

KS-AR7004

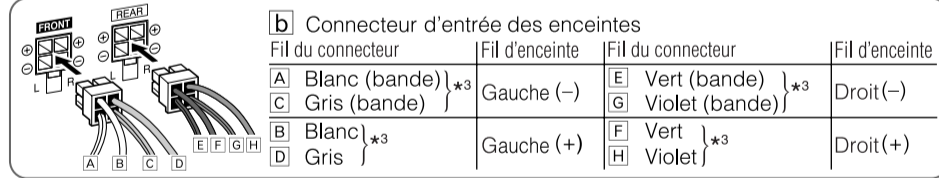
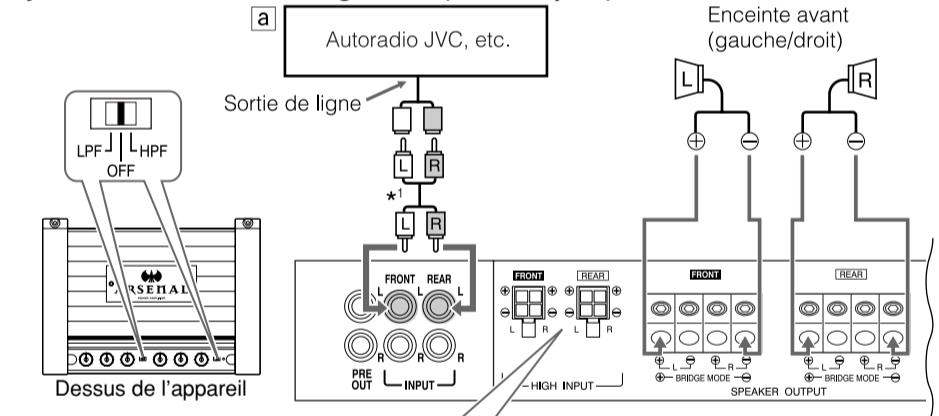
Système à 4 enceintes



Système à 2 enceintes plus un caisson de grave—Bridge Mode (Mode en pont)*2

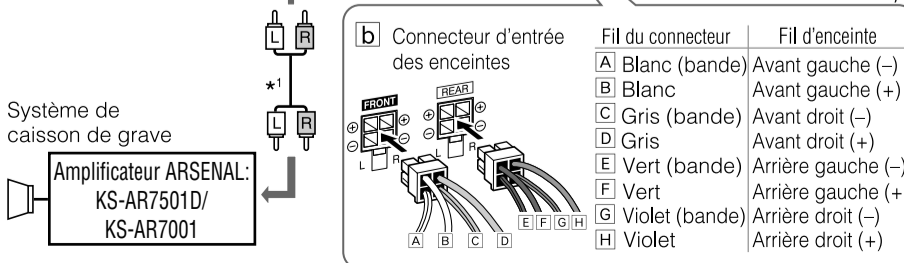
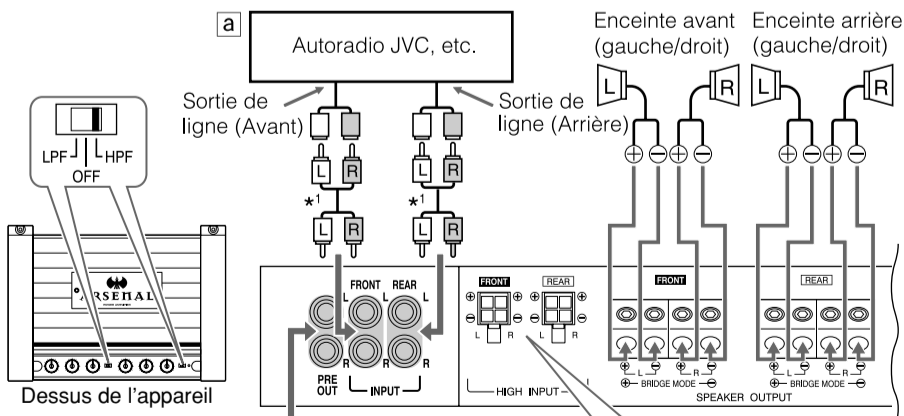


Système à 2 enceintes—Bridge Mode (Mode en pont)*2



Système à 4 enceintes plus un caisson de grave (PRE OUT)

Des signaux sous-mixés sont sortis par les prises PRE OUT.



Système de caisson de grave

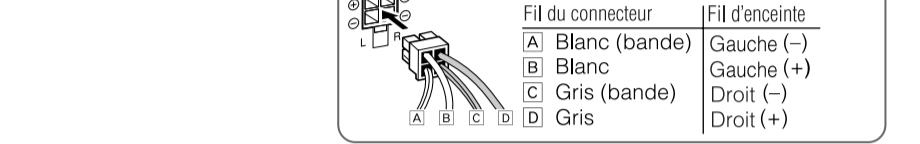
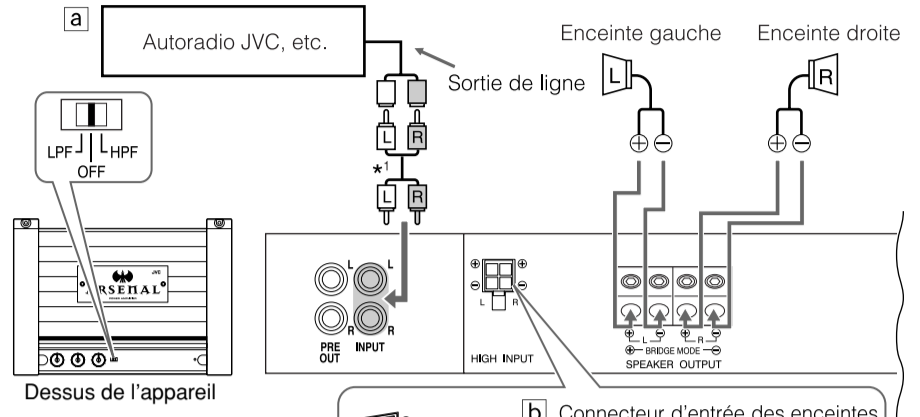
Amplificateur ARSENAL: KS-AR7501D/ KS-AR7001

a Si votre récepteur est muni d'une sortie de ligne, connectez la sortie de ligne (à travers le récepteur) aux prises INPUT de cet appareil.

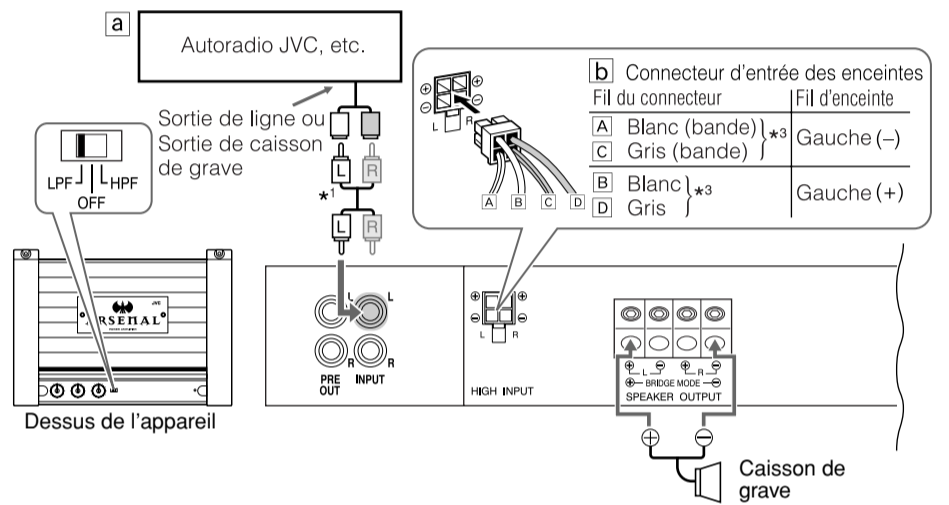
b Si votre autoradio N'EST PAS muni d'une sortie de ligne, connectez le connecteur d'enceinte (à travers l'autoradio) à la prise HIGH INPUT sur cet appareil.

KS-AR7002

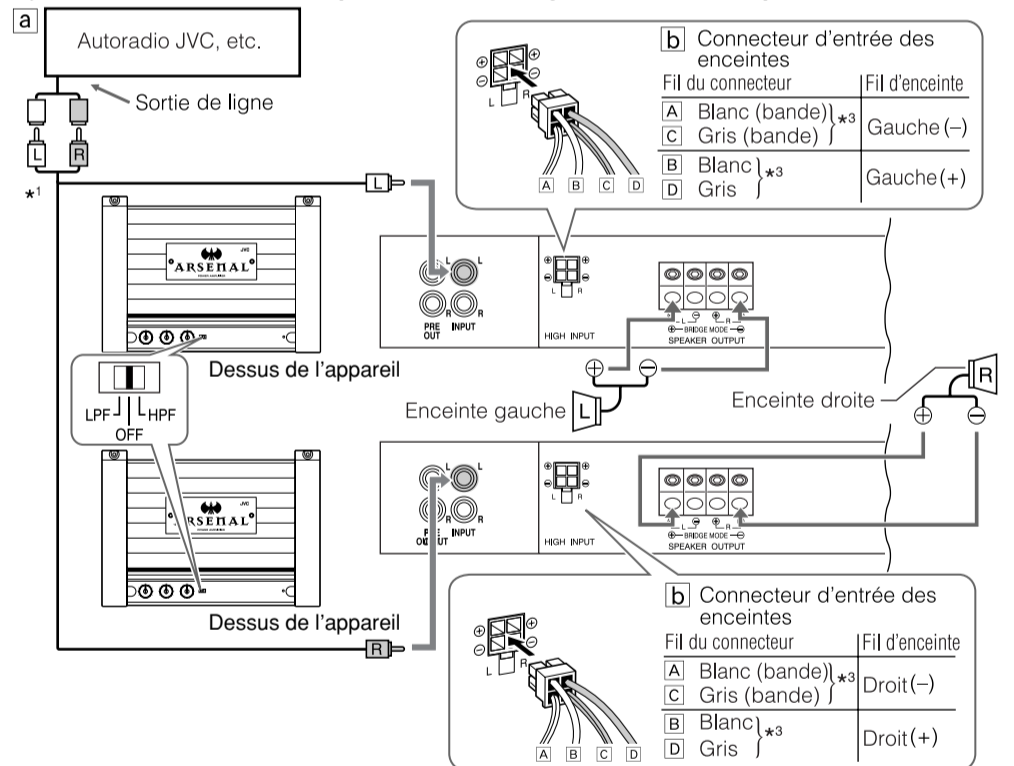
Système à 2 enceintes



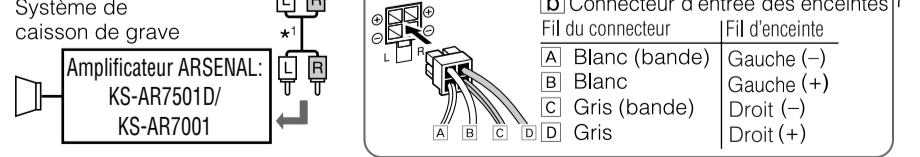
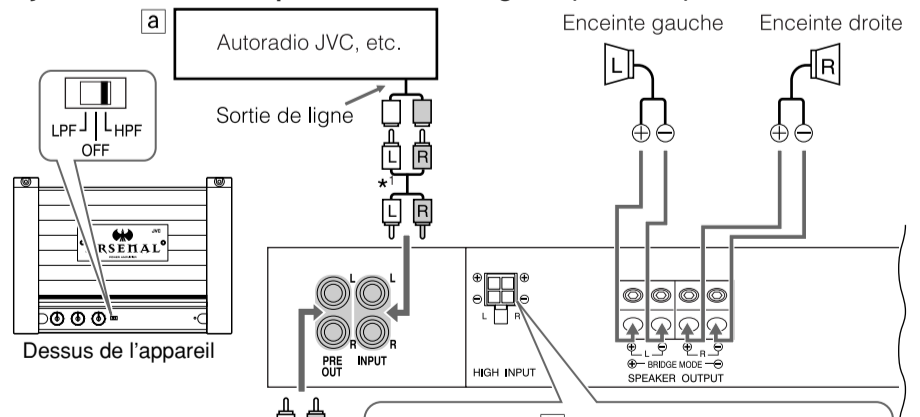
Système de caisson de grave—Bridge Mode (Mode en pont)*2



Système à 2 enceintes (2 amplificateurs)—Bridge Mode (Mode en pont)*2



Système à 2 enceintes plus un caisson de grave (PRE OUT)



*1 Non fourni avec cet appareil.

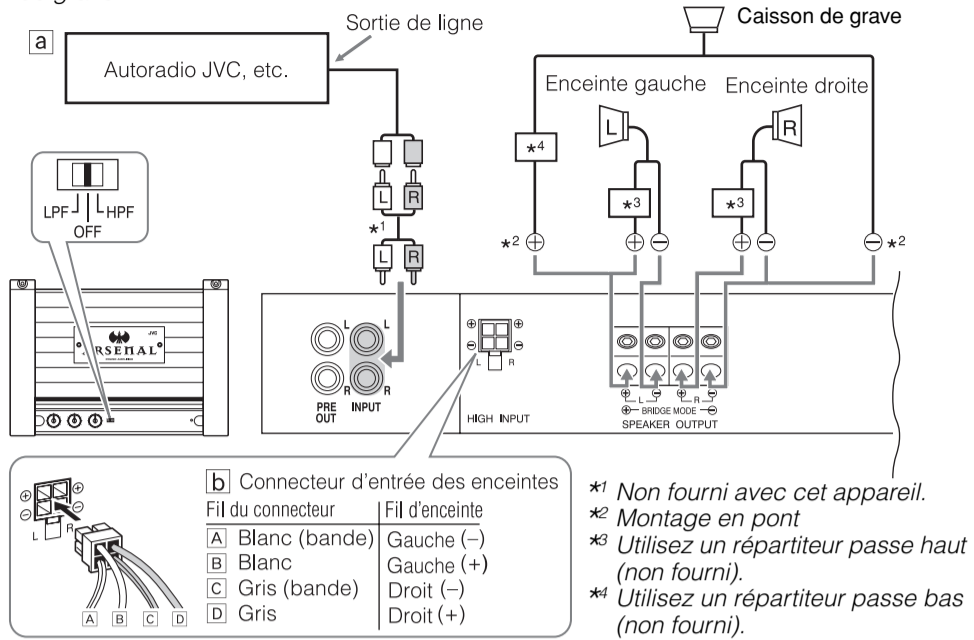
*2 Bridge Mode (Mode en pont): Assurez-vous de connecter la sortie de ligne de l'autoradio à la prise gauche (L) de cet appareil.

*3 Assurez-vous de connecter les deux fils au fil de l'enceinte cible.

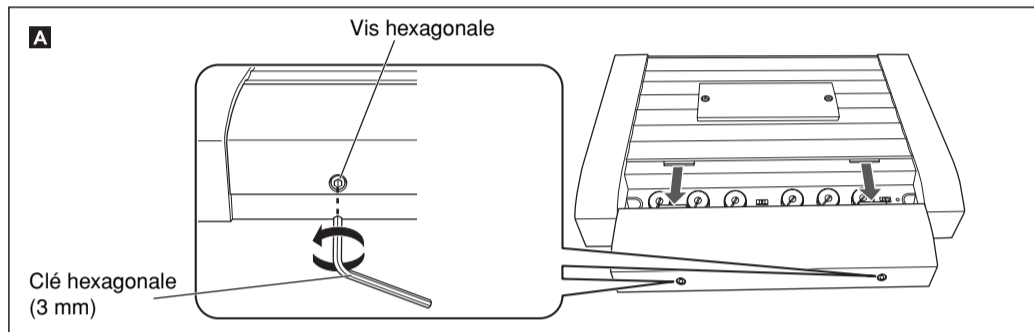
KS-AR7002

Système à 2 enceintes plus un caisson de grave (1 amplificateur)

L'impédance minimum doit être de 4 Ω pour chaque enceinte gauche et droite et le caisson de grave.

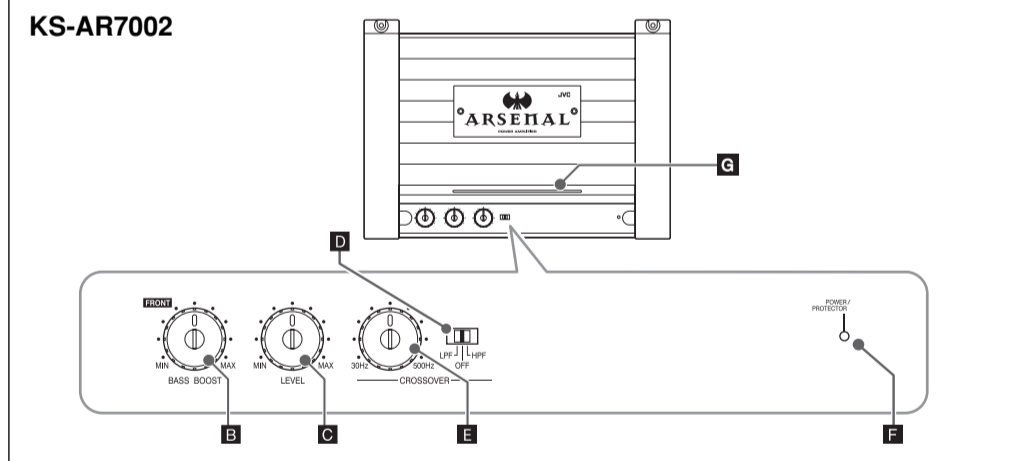
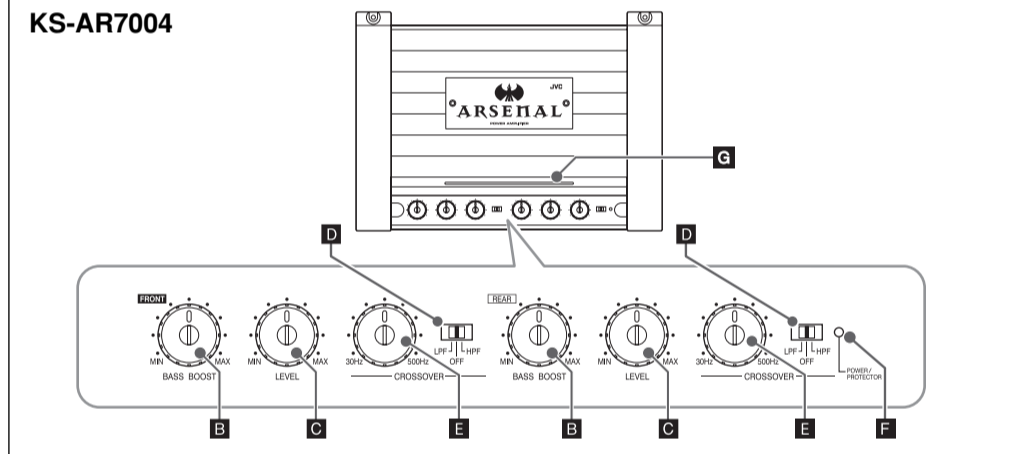


COMMANDES



A Couvercle du boîtier de commande

Pour utiliser les commandes suivantes, retirer les vis hexagonales à l'aide d'une clé hexagonale (fournie) (3 mm) puis retirer le couvercle du boîtier. Remettre ce dernier en place une fois l'opération terminée.



B Réglage BASS BOOST

Tournez ce réglage accentue la fréquence de 45 Hz dans une plage de 0 dB à +18 dB. Ajustez le niveau tout en écoutant le son. Cette commande est pré-réglée sur MIN à l'expédition de l'usine.

C Réglage du niveau d'entrée (LEVEL)

Le niveau d'entrée peut être ajusté avec ce réglage quand cet appareil est connecté à d'autres appareils sources. Ajustez le niveau tout en écoutant le son. Cette commande est pré-réglée sur MIN à l'expédition de l'usine.

D Commutateur de filtre de transition (CROSSOVER)

OFF: Normalement, réglez sur cette position. Ce commutateur est pré-réglé sur cette position à l'expédition de l'usine.

LPF: Réglez le commutateur sur cette position si vous souhaitez mettre en service le filtre LPF (passe-bas) (le filtre passe bas transmet les fréquences inférieures à la fréquence de coupure).

HPF: Réglez le commutateur sur cette position si vous souhaitez mettre en service le filtre HPF (passe-haut) (le filtre passe haut transmet les fréquences supérieur à la fréquence de coupure).

E Répartiteur CROSSOVER

Tournez ce réglage pour ajuster la fréquence de coupure dans une plage de 30 Hz à 500 Hz. Ajustez le niveau tout en écoutant le son. Cette commande est pré-réglée sur 30 Hz à l'expédition de l'usine.

F Témoin POWER/PROTECTOR

Le témoin est allumé en vert quand l'appareil est sous tension. Si le témoin ne s'allume pas ou s'allume en rouge quand l'appareil est sous tension, cela indique qu'il y a un problème (référez-vous à "EN CAS DE DIFFICULTÉS").

G Indicateur d'alimentation

Le témoin bleu est allumé quand l'appareil est sous tension.

EN CAS DE DIFFICULTÉS

S'assurer d'abord pour plus de détails, consulter votre revendeur d'accessoires audio JVC.

Le témoin POWER/PROTECTOR ne s'allume pas.

- Changez le fusible s'il a grillé.
- Connectez solidement le fil de masse à une partie métallique de la voiture.
- Mettez sous tension l'équipement connecté à cet appareil.
- Utiliser un relais si votre système emploie trop d'amplificateurs.
- Vérifier la tension de la batterie (11 V à 16 V).

Le témoin POWER/PROTECTOR s'allume en rouge et/ou l'appareil chauffe de façon anormale.

- Utilisez des enceintes d'une impédance correcte.
- Corrigez le câblage des enceintes s'il y a un court-circuit.
- Laissez l'appareil hors tension pendant un certain temps pour qu'il refroidisse.

Il n'y a pas de son.

- Vérifiez les connexions pour l'alimentation (voir "ALIMENTATION" à la page 1).
- Connectez les cordons Cinch aux prises INPUT, ou le connecteur d'entrée d'enceinte à la prise HIGH INPUT.

Des parasites de l'alternateur sont entendus.

- Tenez le cordon d'alimentation à l'écart du cordon à fiches Cinch.
- Maintenir les cordons à broches RCA éloignés des autres câbles électriques dans la voiture.
- Connectez solidement le fil de masse à une partie métallique de la voiture.
- Assurez-vous que les fils négatifs des enceintes ne touchent pas le châssis de la voiture.
- Remplacer les prises ou utiliser des prises à résistance de charge.
- Raccorder un condensateur de découplage sur les commutateurs d'accessoires (klaxon, ventilateur, etc.).

Du bruit est produit quand vous connectez l'appareil au tuner AM.

- Éloignez les enceintes et les cordons d'alimentation du fil d'antenne.

SPÉCIFICATIONS

Puissance de sortie	KS-AR7004: 100 W RMS x 4 canaux à 4 Ω et ≤ 1% THD + N KS-AR7002: 150 W RMS x 2 canaux à 4 Ω et ≤ 1% THD + N
Rapport signal sur bruit	80 dBA (référence: 1 W pour 4 Ω)



Puissance de sortie maximum	800 W
Impédance de charge	4 Ω (2 Ω à 8 Ω tolérés) 4 Ω (4 Ω à 8 Ω tolérés) (Mode en pont)
Réponse en fréquence	5 Hz à 50 kHz* (+0, -3 dB) * Un filtre infrasonore limite les signaux d'extrême basse fréquence, inférieure à 20 Hz.
Sensibilité d'entrée/Impédance	2 V/45 kΩ (0,3 V à 6 V, variable)
Distorsion	Moins de 0,04% (à 1 kHz)
Alimentation	CC 14,4 V (11 V à 16 V tolérés)
Système de masse	Masse négative
Dimensions (L/H/P)	400 mm × 60 mm × 288 mm (15-3/4 po. × 2-3/8 po. × 11-3/8 po.)
Masse (approx.)	KS-AR7004: 5,3 kg (11,7 lbs.) KS-AR7002: 5,2 kg (11,5 lbs.)
Accessoires fournis	Connecteur d'entrée d'enceinte KS-AR7004: 4P × 2 KS-AR7002: 4P × 1 Vis (φ 4 × 20 mm (13/16 po.)) × 4 Clef hexagonale 4 mm × 1 3 mm × 1 Entretoise × 6 Support L × 1 S × 2 Vis (M4 × 12 mm (1/2 po.)) × 6 Rondelle (M4) × 6 Rondelle ressort à bec (M4) × 6

La conception et les spécifications sont sujettes à changement sans notification.

