



## LCD Television Users Guide

1080p HDTV

**LT-32J300** 32" class (31.5" Diagonal)

**LT-32JM30** 32" class (31.5" Diagonal)

**LT-42J300** 42" class (42" Diagonal)

**LT-46J300** 46" class (45.9" Diagonal)



As an "ENERGY STAR®" partner, JVC has determined that this product or product model meets the "ENERGY STAR®" guidelines for energy efficiency.

Please read the important notice for energy efficiency on page 7.

### Important Note:

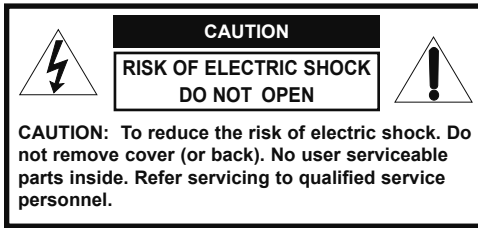
In the spaces below, enter the model and serial number of your television (located at the rear of the television cabinet). Staple your sales receipt or invoice to the inside cover of this guide. Keep this user's guide in a convenient place for future reference. Keep the carton and original packaging for future use.

**Serial Number:** \_\_\_\_\_

**Model Number:** \_\_\_\_\_

LCT2520-002A-A  
0209TSH-II-IM

# Warnings



The lightning flash with arrowhead symbol, within an equilateral triangle is intended to alert the user to the presence of uninsulated "dangerous voltage" within the product's enclosure that may be of sufficient magnitude to constitute a risk of electric shock to persons.



The exclamation point within an equilateral triangle is intended to alert the user to the presence of important operating and maintenance (servicing) instructions in the literature accompanying the appliance.

**WARNING:** TO PREVENT FIRE OR SHOCK HAZARDS, DO NOT EXPOSE THIS APPARATUS TO RAIN OR MOISTURE.

**CAUTION:** TO INSURE PERSONAL SAFETY, OBSERVE THE FOLLOWING RULES REGARDING THE USE OF THIS UNIT.

1. Operate only from the power source specified on the unit.
2. Avoid damaging the AC plug and power cord.
3. Avoid improper installation and never position the unit where good ventilation is unattainable.
4. Do not allow objects or liquid into the cabinet openings.
5. In the event of trouble, unplug the unit and call a service technician. Do not attempt to repair it yourself or remove the rear cover.

Changes or modifications not approved by JVC could void the warranty.

- \* When you don't use this TV set for a long period of time, be sure to disconnect both the power plug from the AC outlet and antenna for your safety.
- \* To prevent electric shock do not use this polarized plug with an extension cord, receptacle or other outlet unless the blades can be fully inserted to prevent blade exposure.

## IMPORTANT RECYCLING INFORMATION

This product has a fluorescent lamp that contains mercury. Disposal of these materials may be regulated in your community due to environmental considerations. For disposal or recycling information, please contact your local authorities or for USA, the Electronic Industries Alliance: <http://www.eiae.org>

---

### Do not attempt to service the product yourself

---

#### Caution


To prevent electrical shock, do not open the cabinet.

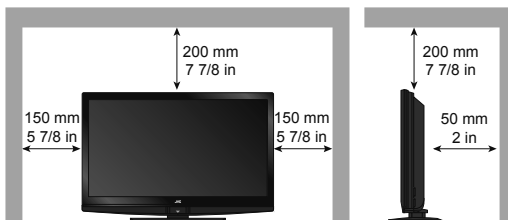
There are no user serviceable parts inside.

Please refer to qualified service personnel for repairs.

---

# Important Safety Instructions

- 1) Read these instructions.
  - 2) Keep these instructions.
  - 3) Heed all warnings.
  - 4) Follow all instructions.
  - 5) Do not use this apparatus near water.
  - 6) Clean only with dry cloth.
  - 7) Do not block any ventilation openings. Install in accordance with the manufacturer's instructions.
  - 8) Do not install near any heat sources such as radiators, heat registers, stoves, or other apparatus (including amplifiers) that produce heat.
  - 9) Do not defeat the safety purpose of the polarized or grounding-type plug. A polarized plug has two blades with one wider than the other. A grounding type plug has two blades and a third grounding prong. The wide blade or the third prong are provided for your safety. If the provided plug does not fit into your outlet, consult an electrician for replacement of the obsolete outlet.
  - 10) Protect the power cord from being walked on or pinched particularly at plugs, convenience receptacles, and the point where they exit from the apparatus.
  - 11) Only use attachments/accessories specified by the manufacturer.
  - 12) Use only with a cart, stand, tripod, bracket, or table specified by the manufacturer, or sold with the apparatus. When a cart is used, use caution when moving the cart/apparatus combination to avoid injury from tip-over.
- 
- 13) Unplug this apparatus during lightning storms or when unused for long periods of time.
  - 14) Refer all servicing to qualified service personnel. Servicing is required when the apparatus has been damaged in any way, such as power-supply cord or plug is damaged, liquid has been spilled or objects have fallen into the apparatus, the apparatus has been exposed to rain or moisture, does not operate normally, or has been dropped.
  - 15) Apparatus shall not be exposed to dripping or splashing and no objects filled with liquids, such as vases, shall be placed on the apparatus.
  - 16) Place the television on a stable, flat surface. Failure to do so can result in the television falling, causing injury.
  - 17) Do not allow young children to play around or on the television. Do not hang from the TV. Failure to do so can result in the television falling, causing injury.
  - 18) Do not allow young children to play with the plastic bag that came with the television when you unpacked it. Failure to do so can result in suffocation, causing injury.
  - 19) Avoid improper installation and never position the unit where good ventilation is impossible. When installing this TV, distance recommendations must be maintained between the set and the wall, as well as inside a tightly enclosed area or piece of furniture. Keep to the minimum distance guidelines shown for safe operation.



# Important Safety Instructions

## 20) Cautions for installation

- Do not tilt the TV towards the left or right, or towards the back.
- Install the TV in a corner on the floor so as to keep cords out of the way.
- The TV will generate a slight amount of heat during operation. Ensure that sufficient space is available around the TV to allow satisfactory cooling.
- Have two people remove the TV from the box with the screen facing away from you. It's possible your clothing, (such as a belt buckle or button) may scratch the front of the TV. Do the same when moving the TV to another location.



- 21) When attaching to a wall, use the optional JVC wall mounting unit.  
For LT-32J300 / LT-32JM30: JVC-XUF-2637 LCD FLAT WALL MOUNT  
For LT-42J300: JVC-XUF-2637 LCD FLAT WALL MOUNT  
For LT-46J300: JVCPCM-MS2 TILT/FLAT WALL MOUNT

### Caution

- Consult qualified installers.
  - See the included manual on mounting procedures.
  - JVC is not responsible for damages or injuries due to improper mounting.
  - Use with other wall mounting unit is capable of resulting in instability or causing possible injury.
- 22) Make enough room for inserting and removing the power plug. Place the TV as close to the outlet as possible. The main power supply for this TV is controlled by inserting or removing the power plug.
- 23) Batteries shall not be exposed to excessive heat such as sunshine, fire or the like.
- 24) When this TV is connected to the wall outlet, it is always on standby even when all the LED lamps are not lit. To shut down the TV, unplug the TV from the wall outlet.

### FCC Notice:

**Caution:** Changes or modifications not expressly approved by party responsible for compliance could void the user's authority to operate the equipment.

**Note:** This equipment has been tested and found to comply with the limits for a Class B digital device, pursuant to Part 15 of the FCC Rules. These limits are designed to provide reasonable protection against harmful interference in a residential installation. This equipment generates, uses and can radiate radio frequency energy and, if not installed and used in accordance with the instructions, may cause harmful interference to radio communications. However, there is no guarantee that interference will not occur in a particular installation. If this equipment does cause harmful interference to radio or television reception, which can be determined by turning the equipment off and on, the user is encouraged to try to correct the interference by one or more of the following measures:

- Reorient or relocate the receiving antenna.
- Increase the separation between the equipment and receiver.
- Connect the equipment into an outlet on a circuit different from that to which the receiver is connected.
- Consult the dealer or an experienced radio/TV technician for help.

# Table of Contents

Warnings . . . . .	2
Important Safety Instructions . . .	3

## Getting Started

Key Features . . . . .	6
Logos & Licenses . . . . .	7
Package Contents . . . . .	8

## Basics

TV Basic Controls . . . . .	13
Remote Control . . . . .	18
Initial Setup . . . . .	22

## Advanced

Customizing your TV . . . . .	24
<b>Picture . . . . .</b>	<b>26</b>
Video Status . . . . .	26
Color Temp . . . . .	27
Color Management . . . . .	27
Dynamic Gamma . . . . .	27
Smart Picture . . . . .	27
Digital VNR . . . . .	27
MPEG NR . . . . .	27
Natural Cinema . . . . .	27
Video Reset . . . . .	27

<b>Display . . . . .</b>	<b>28</b>
Video Input Label . . . . .	28
Photo Viewer . . . . .	28
Aspect . . . . .	30

<b>TV . . . . .</b>	<b>31</b>
Closed Caption . . . . .	31
C.C. Type . . . . .	31
C.C. Setting . . . . .	31
Tuner Mode . . . . .	32
Auto Scan . . . . .	32
Add Channel . . . . .	32
Edit Channel . . . . .	33
V-Chip . . . . .	33
Password . . . . .	34
MPPAA . . . . .	35
Can. Eng. . . . .	36
Can. Fre. . . . .	36

TVPG . . . . .	37
Guide . . . . .	37

<b>PC . . . . .</b>	<b>38</b>
Auto Adjustment . . . . .	38
Phase Adjustment . . . . .	38
PC H-Position . . . . .	38
PC V-Position . . . . .	38
Reset . . . . .	38

<b>Sound . . . . .</b>	<b>39</b>
MTS . . . . .	39
Digital Audio (ML) . . . . .	39
Surround . . . . .	39
Sound Status . . . . .	39
Audio Reset . . . . .	39

<b>Power . . . . .</b>	<b>40</b>
Power Indicator . . . . .	40

<b>Setting . . . . .</b>	<b>41</b>
Plug-In Menu . . . . .	41
Time Zone . . . . .	41
D.S.T. . . . .	41
Language . . . . .	41
Noise Mute . . . . .	41
Front Panel Lock . . . . .	41
Transparency . . . . .	41
Auto Shut Off . . . . .	41
Control with HDMI . . . . .	42
System Info . . . . .	42
Auto Demo . . . . .	42
Optical Out . . . . .	43

## Etc.

<b>Connecting Your Devices . . . . .</b>	<b>44</b>
<b>Troubleshooting . . . . .</b>	<b>50</b>
<b>Specifications . . . . .</b>	<b>52</b>
<b>Warranty . . . . .</b>	<b>53</b>
<b>Notes . . . . .</b>	<b>55</b>

# Key Features

Your JVC TV is equipped with many features. Here is some key features highlighted in detail.

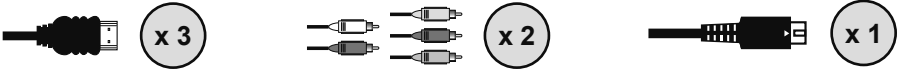
- 1 Stunning picture quality via 1920x1080 Full HD panel. Dynamic Gamma and Color Management give further fine tuned picture reproduction. Smart Picture adjusts the best possible picture quality automatically scene by scene based on the incoming signal from any source!



- 2 JVC exclusive oblique cone speakers provide excellent TV sound quality. OmniSurround sound provides you 4 different settings based on the program you are watching. The equalizer will fine tune your listening preferences.



- 3 Full connectivity with 3 HDMI, 2 Component, 1 S-video and others. The variety of connections are explained in pages 44 to 49.



- 4 Aspect mode will show every pixel you are getting in High Definition. The Full Native mode will show 100% of 1080p. Full – with slight overscan. Panorama, Cinema will fill the screen with various aspect settings.



**Full or Widescreen Mode**

# Logos & Licenses



As an "ENERGY STAR®" partner, JVC has determined that this product or product model meets the "ENERGY STAR®" guidelines for energy efficiency.

This JVC Television is factory set to "Home" mode, which is optimized for normal home viewing. This setting reduces power consumption to help the environment and to comply with ENERGY STAR® qualification.

Enabling certain features and functionality in this TV (e.g., Video Status) may increase its energy consumption, possibly beyond the limits required for ENERGY STAR® qualification.



Manufactured under license from Dolby Laboratories. "Dolby", and the double-D symbol are trademarks of Dolby Laboratories.



HDMI, the HDMI Logo and High-Definition Multimedia Interface are trademarks or registered trademarks of HDMI Licensing LLC.

## Notice:

- The open source software is embedded in this product. For more information, please go to: [http://software.jvc.com/opensource/lnx/DP/08\\_AtscQam\\_T/download.html](http://software.jvc.com/opensource/lnx/DP/08_AtscQam_T/download.html)

# Package Contents

Television x 1



Remote Control x 1



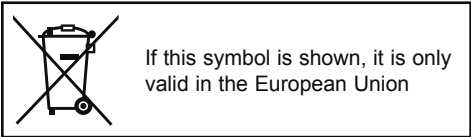
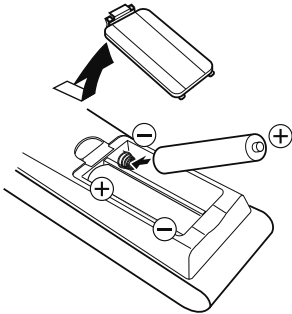
AAA Batteries x 2



## Insert the batteries

Use two "AAA" batteries (included).

Place the "-" end in the unit first, making sure the "+" and "-" markings are correct. Place the "-" end in the unit first.



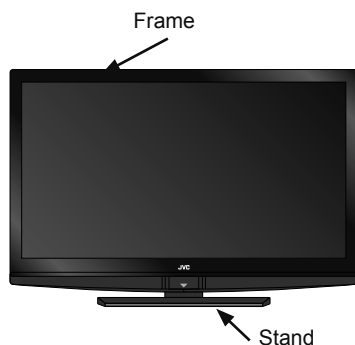


## Caring for the frame and stand

Your TV has a glossy frame and stand which have protection sheets attached to them. Peel them off before use, but only after the TV has been properly placed. Take care with handling the glossy frame and stand because these surfaces are delicate.

Normally, light dusting with a soft, non-scratching duster will keep your TV clean. If you wish to wipe down the television, first unplug it. Then wipe gently with a soft cloth, slightly moistened with water. You can add a few drops of mild liquid detergent to the water to help remove spots of oily dirt.

- DO NOT allow liquid to enter the TV through the ventilation slots.
- DO NOT use strong or abrasive cleaners on the TV.
- DO NOT spray liquids or cleaners directly on the TV's surface.
- DO NOT rub or scrub the TV harshly. Wipe the set gently with a soft cloth.



## Caring for the Screen

The screen is treated with an electrostatic-proof coating. When it gets dirty, wipe it gently with a soft cloth. If the screen is very dirty, wipe it down with a cloth dipped in a diluted kitchen cleaner and thoroughly wrung-out. Then wipe immediately after with a clean, dry cloth.

- DO NOT apply alcohol, organic solvents (like acetone), acidic or alkaline cleansers to the screen. These will remove the coating layer and cause discolorations.
- DO NOT push or hit the screen. This could cause scratches on the screen surface and image distortions.

# Package Contents

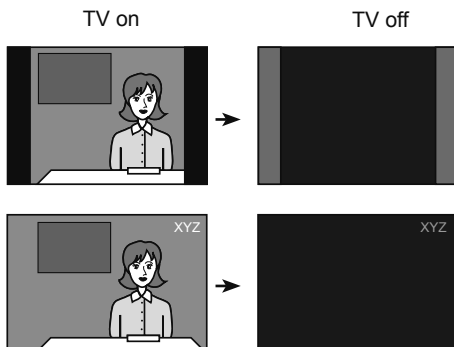
## Avoiding Temporary Burn-in

Displaying fixed images for extended periods of time can leave a subtle but temporary burn-in image on your screen. To avoid this, mix your viewing pattern.

Examples include, but are not limited to the following:

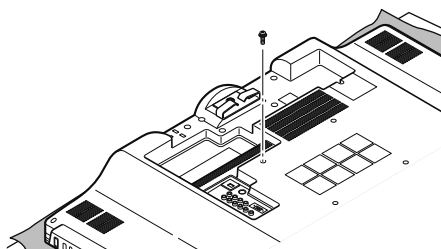
- Stock-market report bars
- Shopping channel logos and pricing displays
- Video game patterns or scoreboards
- Bright station logos
- Internet web sites or other computer-style images
- DVD discs, video tapes, laser discs
- Broadcast, cable, satellite channels or digital television tuners/converters

For example...



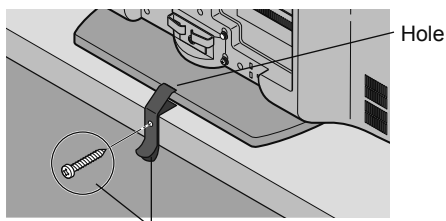
## Dépose de la vis du panneau arrière

Le modèle LT-46J300 comporte une vis dans le trou du panneau arrière qui sert à des fins de sécurité. Veuillez retirer la vis lorsque vous fixez un appareil mural et montez le téléviseur sur un mur.



## Install your TV

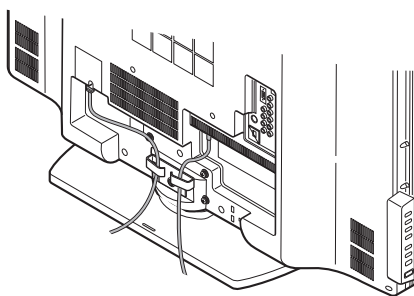
To prevent the TV from falling, thread the belt through the hole on the back of the stand and secure it to the TV rack.



Belt and screw (not included)

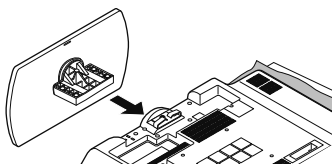
## Tidying the cables

A cable holder which keeps your connection cables tidy is attached to the back of the stand.

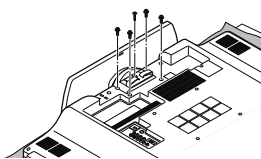


## Connect the stand

The LT-32J300 / LT-32JM30 TV stand is not attached to the TV when you purchased it. Please follow the steps below on how to connect the stand to the TV.



1) Insert the TV stand onto the TV.

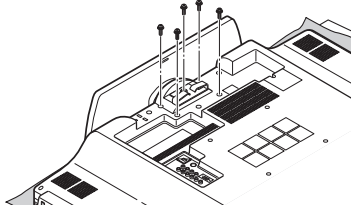


2) Tighten the 5 screws to the back of the TV.

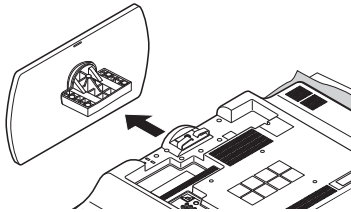
# Package Contents

## Disconnecting the stand

- 1) Place the TV face down on a soft cloth on a table.
- 2) Remove the screws from the back of the TV.



- 3) Pull out the stand from the TV.

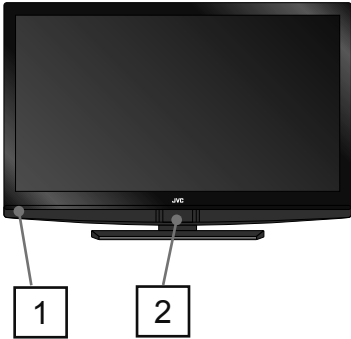


### Notes:

- To re-install the stand, reverse the procedure from **3)** to **1)**.
- If you find it difficult to remove the screws from inset screw wells, use a magnetized screwdriver.

# TV Basic Controls

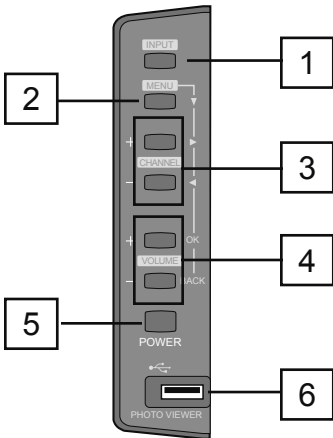
## Front Panel



1 Remote Control Sensor

2 Power Lamp

## Side Panel



1 **Input**  
Change the input

2 **MENU**  
Used to access the TV's onscreen menus.

3 **+CHANNEL-**  
Move sequentially through the channels.

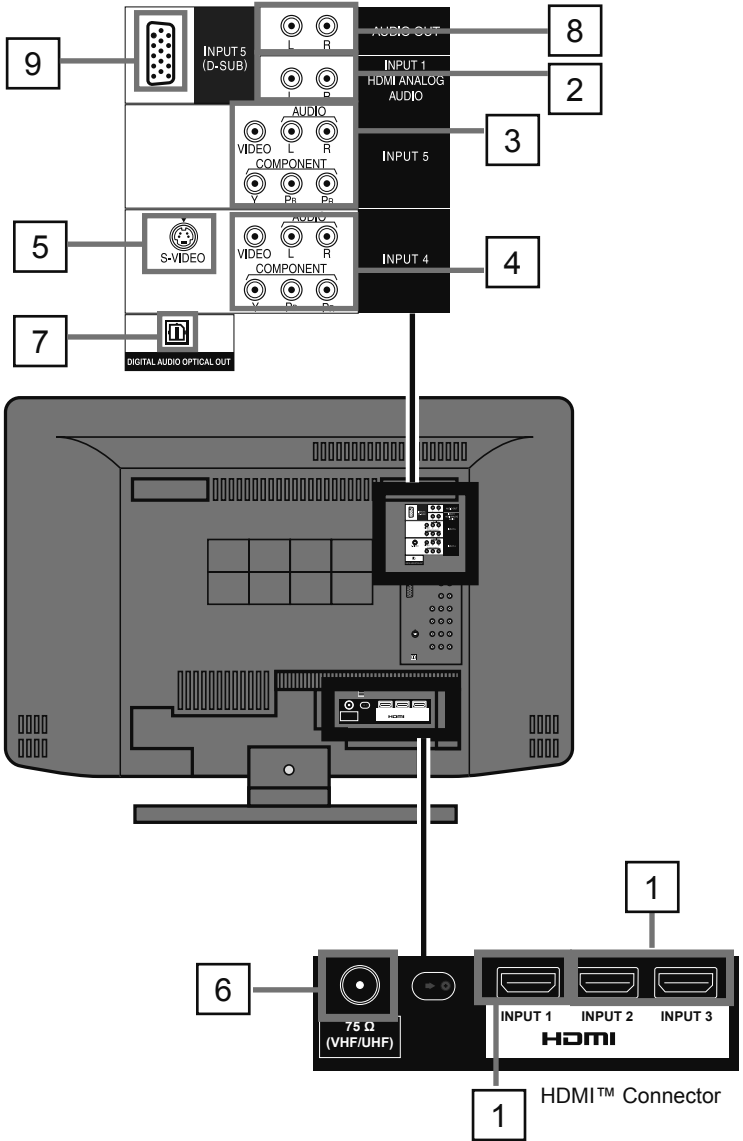
4 **+VOLUME-**  
Raises or lowers the volume.

5 **POWER**  
Turn the TV on or off.

6 **Photo Viewer Connector**

# TV Basic Controls

## Rear Panel



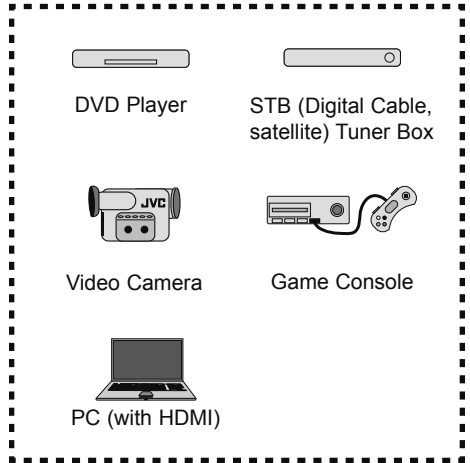
\* This is used when you are using HDMI analog audio

Before you connect your television to another device, please refer to the proper diagrams for your specific TV and remote. These will help assist you in understanding how to connect your television to another device, as well as use the remote to set up your television. Some of the connection terminals are color coded for easy connection with the proper cables.

To find the best possible connection that your device can use, see pages 16 - 17.

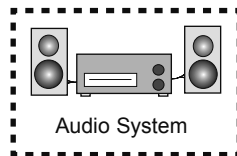
For more detailed information about connecting external devices, see pages 44 - 49.

- 1** HDMI (INPUT 1, 2, or 3)
- 2** HDMI ANALOG AUDIO
- 3** **4** Composite / Component (INPUT 4 or 5)
- 5** S-Video

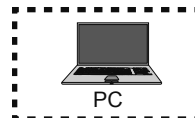


- 6** Antenna / Cable

- 7** DIGITAL AUDIO OPTICAL OUT
- 8** AUDIO OUT



- 9** D-SUB



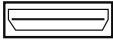

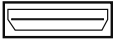








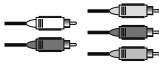













# TV Basic Controls

## Video

Best



Good







Video Connection	Connection Cable	TV Connection	
 HDMI	 HDMI Cable	 INPUT 1, 2 or 3	
  DVI + Audio	  DVI – HDMI Cable, Audio Cable	  Input 1 + HDMI ANALOG AUDIO	
  Component Video + Audio	 Component Video + Audio	   INPUT 4 or 5	
  S-Video + Audio	  S-Video Cable, Audio Cable	   INPUT 4 + AUDIO Input	
 Composite Video + Audio	 Composite Video + Audio	 INPUT 4 or 5	

## Audio

Best



Good

Audio Connection	Connection Cable	TV Connection	
 OPTICAL INPUT	 OPTICAL AUDIO Cable	 DIGITAL AUDIO OPTICAL OUT	
 AUDIO INPUT (L / R)	 Audio Cable	 AUDIO OUT (L / R)	




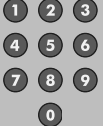






Compatible Signal	Notes
Input <ul style="list-style-type: none"> <li>• HDMI (Digital)               <ul style="list-style-type: none"> <li>SD: 480i, 480p</li> <li>HD : 720p, 1080i, 1080p/24Hz, 1080p/30Hz, 1080p/60Hz</li> </ul> </li> <li>• Audio L/R</li> </ul>	HDMI™ (v.1.3, HDMI™ CEC Support)  Please use a High Speed HDMI™ Cable. High Speed HDMI™ Cable are tested to carry an HD signal up to 1080p and higher. See pages 48, 49.
Input <ul style="list-style-type: none"> <li>• DVI (Digital)               <ul style="list-style-type: none"> <li>SD: 480i, 480p</li> <li>HD : 720p, 1080i, 1080p/24Hz, 1080p/30Hz, 1080p/60Hz</li> </ul> </li> <li>• Audio L/R (Analog)</li> </ul>	See page 47, 49.
Input <ul style="list-style-type: none"> <li>• Component (Analog)               <ul style="list-style-type: none"> <li>SD: 480i, 480p</li> <li>HD: 720p, 1080i</li> </ul> </li> <li>• Audio L/R (Analog)</li> </ul>	See page 45.
Input <ul style="list-style-type: none"> <li>• S-Video (Analog)</li> <li>• Audio L/R (Analog)</li> </ul>	See pages 45, 47.
Input <ul style="list-style-type: none"> <li>• Composite (Analog)</li> <li>• Audio L/R (Analog)</li> </ul>	See page 45.

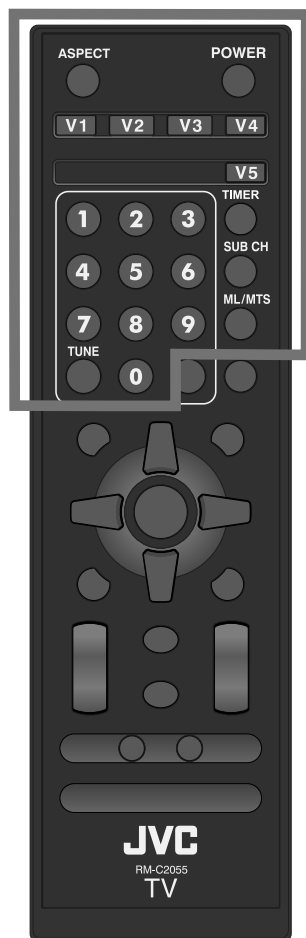
Compatible Signal	Notes
Output <ul style="list-style-type: none"> <li>• Audio L/R (Digital) (PCM or Dolby Digital)</li> </ul>	See page 46.
Output <ul style="list-style-type: none"> <li>• Audio L/R (Analog) (Fixed)</li> </ul>	See page 46.

# Remote Control

The following pages gives you a brief description of each button's function.







	<p>Allows you to adjust the way the image appears on your TV based on the format that is being received.</p> <p><b>Full / Regular / Slim / Panorama / Cinema / Full Native</b></p> <p>See page 30.</p>
	<p>Turns the TV on or off.</p>
	<p>Switch between devices connected to Video-1, 2, 3, 4 and 5. For V4 (Video-4) and V5 (Video-5) you must select the signal input type first (ie. composite, S-Video, or component). To do so, you need to press the <b>V4</b> or <b>V5</b> button until the correct type is highlighted. Select <b>“Composite 1”</b> for composite video signal input, <b>“S-Video”</b> for S-video signal input, or <b>“Component 1”</b> for component video signal input. Select <b>“Composite 2”</b> for composite video signal input or <b>“Component 2”</b> for component video signal input. Select <b>“PC”</b> for PC signal input.</p>
	<p>Change channels.</p>
	<p>Allows you to set the TV to turn on and set the TV to turn off automatically after a set amount of time and channel of your choice.</p> <p><b>On Timer / Input / Sleep Timer</b></p> <div data-bbox="458 971 788 1149" style="border: 1px solid black; padding: 5px; margin: 10px auto; width: fit-content;"> <p>Timer</p> <hr/> <p>On Timer    ◀ 0 h 0 m ▶</p> <hr/> <p>Input                    0 - 0</p> <hr/> <p>Sleep Timer            0 min</p> </div> <p><b>Notes:</b></p> <ul style="list-style-type: none"> <li>• If you set the interval of <b>On Timer</b> by pressing the ◀ ▶ buttons, select channel at Input and press <b>OK</b>.</li> <li>• After you set <b>On Timer</b> and turn off the TV, power lamp lights.</li> <li>• You can check the remaining time of <b>On Timer</b> by displaying this menu again.</li> <li>• You can set the interval of <b>Sleep Timer</b> by pressing the ◀ ▶ buttons.</li> <li>• 60 seconds before the TV turns off, a message will appear and it will count the remaining time.</li> </ul>








<p>SUB CH</p> 	<p>Digital broadcast sometimes offers sub channels. By using the <b>SUB CH</b> button, you can select a sub channel easily.</p> <p>For example, to move to sub channel 123-45:</p> <ol style="list-style-type: none"> <li>1) Press <b>1</b>, <b>2</b> and <b>3</b> in order</li> <li>2) Press the <b>SUB CH</b> button</li> <li>3) Press <b>4</b> and <b>5</b> in order</li> <li>4) Press the <b>TUNE</b> button</li> </ol>
<p>ML/MTS</p> 	<p>Allows you to listen to a program in <b>Stereo</b>, <b>Mono</b> sound or another language (<b>Sap</b>) if available. First you must set the <b>MODE</b> to <b>TV</b> on your remote.</p> <p><b>Notes:</b></p> <ul style="list-style-type: none"> <li>• When you are receiving a digital broadcast, if there are other languages, you can change the language by pressing the <b>ML/MTS</b> button.</li> <li>• Keep the TV in stereo mode to get the best sound quality. The sound will work in stereo mode even if a certain broadcast is in mono sound only.</li> <li>• Choose the mono setting to reduce excessive noise on a certain channel or broadcast.</li> <li>• MTS is unavailable if your television's Input source is (<b>V1</b>, <b>V2</b>, <b>V3</b>, <b>V4</b>, <b>V5</b>).</li> <li>• ML/MTS will not work when you are using HDMI.</li> </ul>
<p>TUNE</p> 	<p>Lets you decide the input channel and select it. After pressing the remote 0 - 9 buttons, press <b>TUNE</b>.</p>

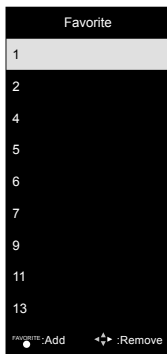


# Remote Control

The following pages gives you a brief description of each button's function.

	<p>Has three functions.</p> <p><b>Return</b> – Returns to the channel viewed just before the channel currently onscreen.</p> <p><b>Return+</b> – Lets you program a specific channel to return to while scanning through the channels using the <b>- CH +</b> button as you memorize the channel.</p> <p><b>TV</b> – Returns to the TV mode as you are watching a video, DVD, etc.</p> <p><b>Note:</b></p> <ul style="list-style-type: none"> <li>• Press <b>TUNE</b> and <b>RETURN+ TV</b> buttons. This will memorize the current channel to return to while you scan through the other channels. To cancel, press <b>TUNE</b> and <b>RETURN+ TV</b> buttons again.</li> </ul>
	<p>You can view program information for Digital Channels.</p> <p><b>Note:</b></p> <ul style="list-style-type: none"> <li>• The <b>GUIDE</b> will not show the correct time and date depending on the <b>Time Zone</b> and <b>D.S.T.</b> settings. See page 41.</li> </ul>
	<p>Turns the TV volume to 0. Press again to restore the volume.</p>
	<p>Raise or lower the volume.</p>
	<p>Allows you to choose different picture settings according to personal preferences. You can access this feature for each input (TV, V1, V2, V3, V4, V5).</p> <p><b>Standard / Dynamic / Theater / Game</b></p> <p>See page 26.</p>
	<p>You can choose several types of sound modes.</p> <p><b>Speech / Jazz / Classic / Rock / User</b></p> <p>See page 39.</p>

	View current channel information.
	Used to select the mode of closed caption.
	Used to navigate through the TV's onscreen menus.
	Used to access the TV's onscreen menus. See page 24.
	Go back to a previous onscreen menu or to correct a mistake.
	Move sequentially through the channels.
	<p>Allows you to save channels you like so you can view them easily. First you must register the channels you like.</p> <p><b>Notes:</b></p> <ul style="list-style-type: none"> <li>• Go to the channel you want to register and press the <b>FAVORITE</b>. A list will appear. Press the <b>FAVORITE</b> button again to register your channel.</li> <li>• To view your favorite channels, press <b>FAVORITE</b>. Move <b>▲▼</b> to select your channel and press <b>OK</b>.</li> <li>• To erase your favorite channels, press <b>FAVORITE</b>. Move <b>▲▼</b> to select your channel and press <b>◀▶</b>.</li> <li>• Both analog and digital channels can be registered.</li> <li>• The channels you registered will appear in numerical order at the top of the list.</li> </ul>



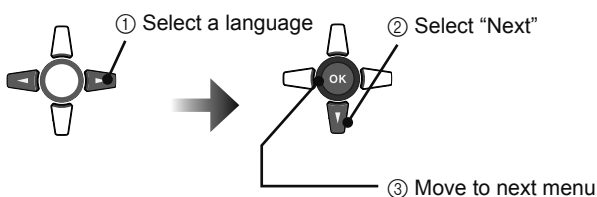
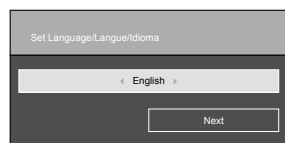
# Initial Setup

When you turn on your TV for the first time, the Initial Setup menu appears automatically. These menus will help you setup your TV with basic information for **Language**, **Time** and **Tuner Setup**. You can also set this setting in the **Plug In Menu**. See page 41.

## 1) Turn on the TV

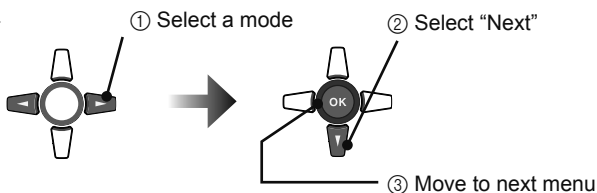
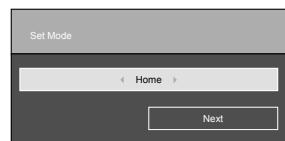


## 2) Set the language

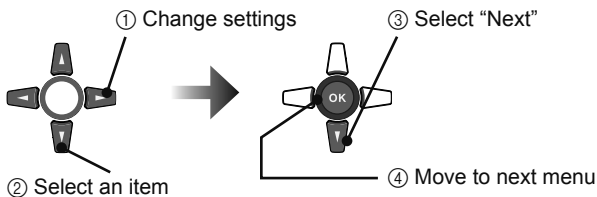
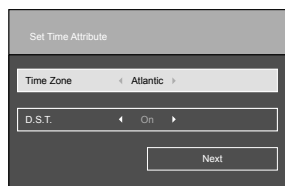


## 3) Set the mode

Select **Home** for use at home.  
**Retail** is used in the TV store.

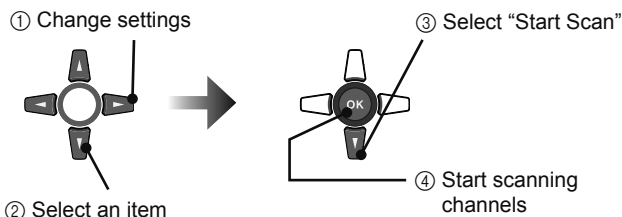
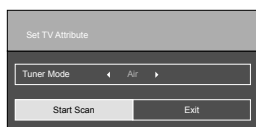


## 4) Set time attribute



Time Zone	Choose the time zone you live in.
D.S.T.	Changes the clock automatically for daylight saving time. <b>On / Off</b>

## 5) Set TV attribute



Tuner Mode	Choose Air (antenna) or Cable
------------	-------------------------------

### Notes:

- If you use a set top box (satellite or cable box), press **Exit** to skip this step.
- If you want to turn off the Auto Demo, press the **MENU** button.

**“Thank you! Setup is now complete”**

**Cable Users:** After your auto tuner setup is complete, you may, (depending on the type of hookup), have only 1 channel, usually 2, 3 or 4 in the auto tuner memory. This is normal.

We have an important note for customers who subscribe to basic cable services (do not have a separate cable box) and plan to use their JVC TV remote control to select channels.

Once you run the Auto Tuner Setup (which detects and programs all the channels your TV is receiving through the RF input), every channel number available from your cable company will appear in your television's Channel Summary and they will all be marked as available for scanning. Even though every channel is detected and appears as available, you will only be able to view those that you specifically subscribe to from your cable company. This will likely mean there are blank channels between those channels you wish to scan or "surf".

We apologize for any inconvenience this may cause but it is important to note that this is not a malfunction of your television. If you want to sequentially scan those channels you subscribe to without blank ones in between, you can contact your cable company for their cable box and remote, or manually deselect them using the edit / skip feature on page 33.

# Customizing Your TV

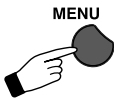
You can customize your TV by operating the menus on the TV screen. The TV screen displays the Menu Bar, Menu Item and available items are highlighted.



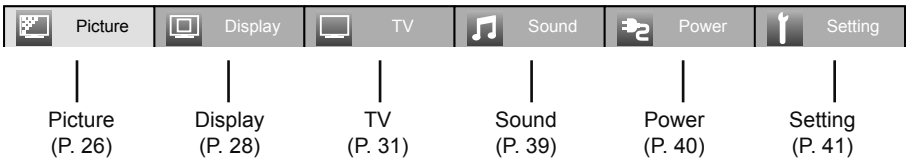
Explanation of function displays

## Using the menus

### 1) Display the menu bar



### 2) Display the desired menu



① Press ◀▶ to select a menu



② Press ▼ to select a menu item



### 3) Change or adjust the setting

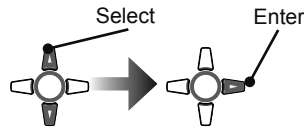
Video Status	◀ Standard ▶
Tint	◀ 0 - 50 - 100 ▶
Color	◀ 0 - 25 - 100 ▶
Contrast	◀ 0 - 50 - 100 ▶
Bright	◀ 0 - 43 - 100 ▶
Detail	◀ 0 - 94 - 100 ▶
Backlight	◀ 0 - 50 - 100 ▶
Color Temp	◀ Cool ▶
Color Management	◀ Off ▶
Dynamic Gamma	◀ On ▶
Smart Picture	◀ On ▶
Digital VNR	◀ High ▶
MPEG NR	◀ On ▶
Natural Cinema	◀ On ▶
Video Reset	

① Press ▲▼ to select a menu item



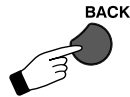
② Press ◀▶ to change the setting

■ To enter an item's sub menu



(Example: Photo Viewer)

■ To the previous screen



### 4) Close the menu



#### Note:

- Depending on the situation (analog channels, digital channels, video signal format, external inputs, etc.), some items will be displayed in gray and can not be selected.

# Customizing your TV



## **Video Status**

---

Choose different display settings according to personal preferences. You can use this feature with TV, V1, V2, V3, V4 and V5.

### **Standard**

Resets the picture display to the factory settings.

### **Dynamic**

Gives a vivid picture with better contrast when viewing in a brightly lit room.

### **Theater**

Gives a rich, film-like look to video when viewing in a dimly lit room.

### **Game**

Used for when you are playing video games connected to your TV.

### **Notes:**

- Each mode is memorized for each analog TV / composite / S-Video, digital TV, HDMI, component signal input.
- Each video status can be chosen along with your favorite picture settings (**Tint**, **Color**, **Contrast**, **Bright**, **Detail** and **Backlight**).

■ Allows you to change and adjust the way the picture appears on your television.

### **Tint**

Allows you to adjust the levels of red and green on your TV.

### **Color**

Allows you to make all the colors on your TV appear more vivid or subtle.

### **Contrast**

Allows you to adjust the level of black and white on your TV giving you a darker or brighter picture overall.

### **Bright**

Allows you to adjust the overall brightness of the TV.

### **Detail**

Allows you to adjust the level of fine detail on your TV.

### **Backlight**

Allows you to adjust the brightness of the internal lamp which effects the overall brightness of the TV.

## **Color Temp**

---

Allows you to adjust colors to look as accurate as possible. **Cool / Natural / Warm**

## **Color Management**

---

Allows you to compensate for dull colors to ensure dull colors are reproduced with natural hues.  
**On / Off**

## **Dynamic Gamma**

---

Allows you see more detail in very dark or bright areas so these areas don't appear "muddied".  
Normally, this feature should be left **On** for optimum picture quality. **On / Off**

## **Smart Picture**

---

Allows the TV to adjust the brightness level automatically to a level suitable for what you are watching. **On / Off**

## **Digital VNR**

---

This function can be selected to change the effect of **Digital VNR** (Video Noise Reduction).

**High** – Adjusts the effect maximally

**Low** – Adjusts the effect minimally

**Off** – Function is turned off.

## **MPEG NR**

---

This function effects the block noise removal and mosquito NR (Noise Reduction) simultaneously.

**Note:**

- When you are receiving digital channels, block noise removal will have no effect.

## **Natural Cinema**

---

Allows you to compensate for image blurring when the original video you are watching was shot at 24 frames/sec, and is broadcast at 30 frames/sec. This conversion process is known as "TELECINE". **On / Off**

**Notes:**

- When you are receiving a 480p, 720p or 1080p signal, **Natural Cinema** cannot be selected.
- **Natural Cinema** is only applied for NTSC, SD 480i and HD 1080i signals.

## **Video Reset**

---

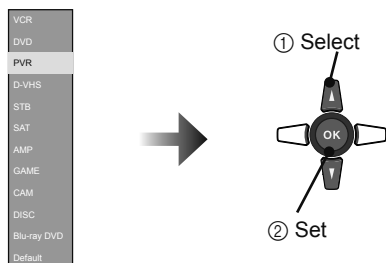
Resets all picture adjustments at once to the default settings, except for **Natural Cinema**.

# Customizing your TV



## Video Input Label

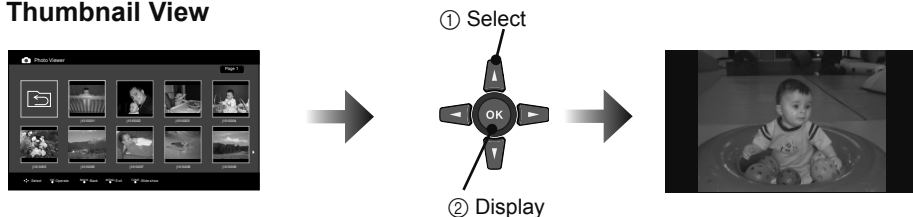
Allows you to label all the devices you have connected to the TV that use the VIDEO-1, 2, 3, 4 and 5 inputs.



## Photo Viewer

Photo Viewer allows you to enjoy your digital pictures stored on your USB Mass Storage Class devices. You can view them on the TV in high quality if USB Mass Storage device is connected to the Photo Viewer terminal on the TV.

### Thumbnail View



When you select **Thumbnail view** and press **OK**, a folder or file list will be displayed. Select your folder by using the ◀▶ or ▲▼ buttons. Choose a picture and press the **OK** button. It will now be shown on the screen. To move to the next picture, press the ▶ button. To move to the previous picture, press the ◀ button.

\* If there is more than 10 images, those images will be shown in the next page. To go to the next page, select the last image on the page and press the ▶ or ▼ buttons. To go back to the previous page, press the ◀ or ▲ buttons.


### Slide Show


– In **Thumbnail View** screen, you can view slide show by pressing the **TUNE** button.

DISPLAY

 Display help screen

VOL

 90° Rotation

 (in Slide Show)  
Play/Pause

**1** Move to the upper left

**6** Move to the right

**2** Move up

**7** Move to the lower left

**3** Move to the upper right


**8** Move down

**4** Move to the left

**9** Move to the lower right

**5** Reset

\* Les fonctions de déplacement ne produisent un effet qu'en présence d'un zoom avant sur les images.

 Enlarge

 Reduce

## Interval

Choose Slide Show Interval of 5, 10 or 20 seconds by pressing the ◀ ▶ buttons.

### Notes:

- Gently pull out your USB device from the Photo Viewer terminal after finishing the **Photo Viewer** menu.
- Use the supplied USB cable that came with your device. Do not use HUB or USB extension cable.
- **Photo Viewer** cannot be guaranteed to work with all USB Mass Storage Devices. It may take some time to display or it may not display correctly.
- Please refer to the Customer Support website at [www.jvc.com/support](http://www.jvc.com/support) for information and notes regarding your devices you wish to connect.
- Supported file formats are “.jpg” or “.JPG”.
- All your stored data should be backed up first as a precaution before connecting to the TV.
- Depending on your stored file size, it can take extra time to display “Photo Viewer” page.
- Depending on your stored file type, some data may not be able to be displayed in the thumbnail screen.
- Vous pouvez voir les photos HDD uniquement lors de l'utilisation des appareils photo Everio comportant HDD



*Display Continued...*

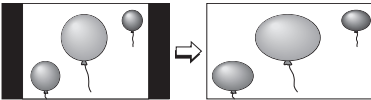
# Customizing your TV

## Aspect

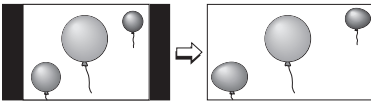
---

Allows you to adjust the way the image appears on your TV based on the format that is being received.

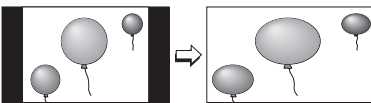
**Full** - When watching a 4:3 aspect picture, it is stretched to fit the dimensions of the TV. When watching a 16:9 aspect picture, it displays 95% of the ratio.



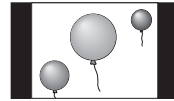
**Panorama** - When watching a 4:3 aspect picture it is stretched to fit the dimensions of the 16:9 aspect screen.



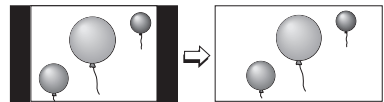
**Full Native** - This ratio displays 100% of the ratio. Normally, all aspects except for **Full Native** display about 95%.



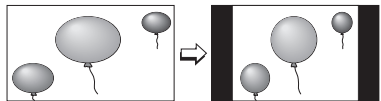
**Regular** - When watching a 4:3 aspect picture without modifying the original picture to fit the dimensions of your 16:9 screen. Black bars will appear along the picture's sides. The picture will be centered within the boundaries of the 16:9 screen.



**Cinema** - This ratio "zooms in" on the center part of a 4:3 aspect picture, blowing it up proportionally to fill the 16:9 screen.



**Slim** - This aspect mode shrinks the screen of a 16:9 broadcast to 4:3. There are some programming that is already stretched by mistake at broadcasting companies, so this mode corrects it. Black side bars will appear.



### Notes:

- Depending on the signal format, some aspect modes are unavailable.
- If you change the aspect mode after the television changed it to **Full** automatically, the television will change to the aspect mode you choose. It also turns to **Full** automatically when the TV receives an HD (1080p, 1080i or 720p) signal.



## Closed Caption

Allows you to select the mode of the closed caption. First you must set the **MODE** to either **TV**, **STB** or **VCR** on your remote. **On / Smart / Off**

### Note:

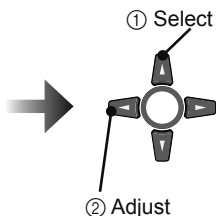
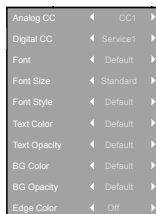
- **Smart** caption will appear when you press the **MUTING** button only on channels where the broadcast contains closed captioning.

## C.C. Type

Allows you to select the type of the closed caption. **Basic** is for analog channel's caption, and **Advanced** is for digital channel's caption. **Auto / Basic / Advanced**

## C.C. Setting

You can choose between caption or text in mode to decide how closed captioning will appear.



### Analog CC

Choose the CC feature that you like for analog closed captioning.

### Digital CC

Choose the CC feature that you like for digital closed captioning.

### Font

Choose the font that you like for closed captioning.

### Font Size

Choose how big the text appears in closed captioning.

### Font Style

Choose the style of the font in closed captioning.

### Text Color

Choose the color of the text in closed captioning.

### Text Opacity

Choose how translucent the text appears in closed captioning.

# Customizing your TV

## **BG Color**

Choose the background box color for the Closed Captioning text.

## **BG Opacity**

Choose how translucent the background box color for the Closed Captioning text.

## **Edge Color**

Choose the color of the border of the background box color for the Closed Captioning text.

## **Note:**

- The **Font**, **Font Size**, **Font Style**, **Text Color**, **Text Opacity**, **BG Color**, **BG Opacity** and **BG Color** settings will not apply to closed caption of analog channels. In addition, some of these settings for closed caption for digital channels may or may not be available, depending on the closed captioning data being broadcast.

## **Tuner Mode**

---

If you skipped this step in the initial setup or your setup has changed, you can redo your setup in this menu. **Air / Cable**

## **Autoscan**

---

Allows you to scan through all available channels your TV can receive, and memorizes them.

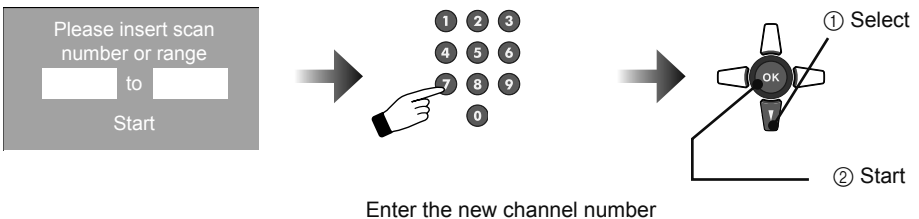
## **Note:**

- The Autoscan is finished when the message “**Scanning has completed**” appears on the screen.

## **Add Channel**

---

Allows you to add analog channels. Regarding digital channels, the only channels that will appear are the ones that are being broadcast.

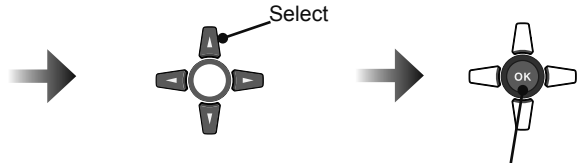




## Edit Channel

Allows you to skip channels when using the + CH – button. “✓” means don't skip, “ ” means to skip. You can still access those skipped channels manually using the number buttons on the remote.

Main Channel List		
✓	3-2	CH-2
✓	3-3	CH-3
✓	5-0	
✓	6-0	
✓	6-0	
✓	11-0	
✓	14-0	
✓	22-1	CH-1
✓	36-0	
✓	63-0	



Select to skip or not to skip.  
Also, select the channel.

Advanced

## V-Chip

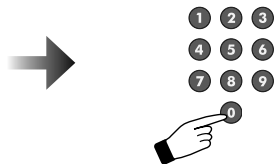
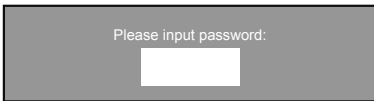
Allows you to block channels or content that you deem inappropriate for children.

### Notes:

- **V-CHIP** will not work with video signals from VCRs, DVD players, Blu-ray or camcorders connected to the TV.
- **(For Canadian viewers only)** V-CHIP is designed specifically for the US and may not work properly in Canada.

### – When entering the password –

When you try and access the **V-Chip** menu, “Please input password” will appear. Press the “0” button four times on your remote to access the **V-Chip** menu for the first time.



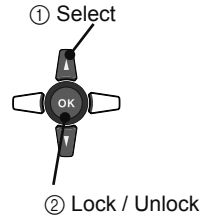
TV Continued...

# Customizing your TV

## – When you lock or unlock channels –

You can lock or unlock ratings as shown below.

Password	NR	
MPAA	G	
	PG	
Can. Eng.	PG13	
Can Fre.	R	
	NC-17	
TVPG	X	



### Note:

- If you lock a rating, any rating that is higher is automatically blocked.

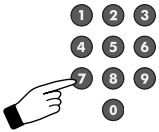
## Password

New Password	_____
Confirm Password	_____
OK	Clear

You can change the four digit password using the number buttons on your remote.

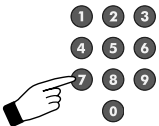
\* If you forget your password, unplug the TV from the wall and then plug it back in. Your password will reset to "0000"

### 1) Set a new password









Enter the four digit number

### 2) Confirm and set



Enter the four digit number

## MPAA

NR	
G	
PG	
PG13	
R	
NC-17	
X	

This setting is based on the US Motion Picture Association of America (MPAA) ratings system.

### **NR – Not Rated.**

Any type of programming that does not contain a rating.

### **G – General Audience.**

Suitable for all ages.

### **PG – Parental Guidance Suggested.**

Suitable for all ages with parental guidance.

### **PG 13 – Parents Strongly Cautioned.**

Intended for viewers 13 years or older.

### **R – Restricted.**

Not recommended for viewers 17 years without parental guidance.

### **NC-17 – No One Under 17.**

Not intended for viewers 17 years or younger.

### **X – No One Under 18.**

Not intended for viewers 18 years or younger.

### **Viewing Guidelines:**

At the beginning of a program, the program will display its rating and the content it contains (**Except for unrated programming**).

A program can contain any or all of the following:

### **V/FV – VIOLENCE/FANTASY VIOLENCE**

**S – SEXUAL** Content

**L – Strong LANGUAGE**

**D – Suggestive DIALOG**



TV Continued...

# Customizing your TV

## Can. Eng.

E	
C	
C8+	
G	
PG	
14+	
18+	

This setting is based on the Canada ratings system.

### **E – Exempt.**

Any type of programming that does not contain a rating.

### **C – Intended for children.**

Suitable for all ages.

### **C8+ – Intended for children over 8 years old.**

Suitable for all ages over 8 years.

### **G – General Audience.**

May contain material not suited for younger viewers.

### **PG – Parental Guidance.**

May contain material not suited for younger viewers. Parents may consider some content not appropriate for children 8 - 13 years old.

### **14+ – 14 Years or Older.**

Parents strongly urged to use their discretion in allowing viewing by persons under 14.

### **18+ – Adult.**

Intended for viewers 18 years or older.

## Can. Fre.

E	
G	
8 Ans+	
13 Ans+	
16 Ans+	
18 Ans+	

For instructions on **Can. Fre.**, please see page 36 in the French user's guide.

## TVPG

	ALL	FV	V	S	L	D
TV-Y						
TV-Y7						
TV-G						
TV-PG						
TV-14						
TV-MA						

This setting is based on the US ratings system.

### TV Y – Appropriate for all children.

Intended for all children 2 - 6 years old.

### TV Y7 – Appropriate for older children.

Intended for children 7 years or older.

### TV G – General Audience.

Suitable for all ages.

### TV PG – Parental Guidance Suggested.

Suitable for all ages with parental guidance.

### TV 14 – Parents Strongly Cautioned.

Intended for viewers 14 years or older.

### TV MA – Mature Audiences Only.

Intended for viewers 18 years or older.

### Viewing Guidelines:

In addition to the above ratings, you can also block or allow more specific content **(Except for unrated programming)**.

A program can contain any or all of the following:

### V/FV – VIOLENCE/FANTASY VIOLENCE

S – SEXUAL Content

L – Strong LANGUAGE

D – Suggestive DIALOG

## Guide

---

You can view program information. **(Digital channels only)**

### Note:

- If the programming information is not being broadcast, the guide function has no effect or may display incorrect information.

# Customizing your TV



**Notes:**

- This menu will replace the **TV** menu when you connect a PC to your TV terminal. See page 49.
- There are some menus that PC mode can not use. (In **Picture** and **Sound** menu)
- As for **Aspect** in the **Display** menu, only **Regular** and **Full** are available.

## ***Auto Adjustment*** \_\_\_\_\_

Adjust the screen position automatically.

**Note:**

- Sometimes Auto Adjustment will not operate properly. Either adjust with the following functions or change the signal.

## ***Phase Adjustment*** \_\_\_\_\_

Adjust it when noise shows up across the screen. Also, use it when letters become blurry.

## ***PC H-Position*** \_\_\_\_\_

Allows you to adjust the screen position horizontally.

## ***PC V-Position*** \_\_\_\_\_

Allows you to adjust the screen position vertically.

## ***Reset*** \_\_\_\_\_

Resets all PC mode adjustments at once to the default setting.



## **MTS**

---

Allows you to listen to a program in stereo, mono sound or another language (SAP).  
**(Depending if available in the program)** First you must set the **MODE** to **TV** on your remote.

### **Notes:**

- When you are receiving a digital broadcast, if there are other languages, you can change the language by pressing the **ML/MTS** button.
- Keep the TV in stereo mode to get the best sound quality. The sound will work in stereo mode even if a certain broadcast is in mono sound only.
- Choose the mono setting to reduce excessive noise on a certain channel or broadcast.
- MTS unavailable if your television's input source is **(V1, V2, V3, V4, V5)**.
- ML/MTS will not work when you are using the HDMI.

## **Digital Audio (ML)**

---

You can change the language if there are other languages available. **(Digital channels only)**

## **Surround**

---

You can select the surround mode you like. **Off / Movie / Music / News / Mono**

## **Sound Status**

---

You can choose several types of sound modes. **User / Speech / Jazz / Classic / Rock**

### **Note:**

- If you select **User**, you can customize the various sound frequencies.  
**100Hz / 330Hz / 1KHz / 3.3KHz / 10KHz**

## **Audio Reset**

---

Resets all sound adjustments at once to the default settings.

# Customizing your TV



## ***Power Indicator***

---

Allows you adjust the brightness of the blue power indicator light.

**High** – Light is brightly lit

**Low** – Light is dimly lit

**Off** – Light is off





## Setting

### **Plug In Menu**

---

When you turn on your TV for the first time, the Initial Setup menu appears. If you skip it, or your setup has changed, you can set it up in this menu anytime.

### **Time Zone**

---

Choose the time zone you live in and the clock sets automatically.

**Atlantic / Eastern / Central / Mountain / Pacific / Alaska / Hawaii**

### **D.S.T.**

---

Adjust your TV's clock for Daylight Savings. **On / Off**

### **Language**

---

Allows you to change the TV's onscreen menu languages to English, French or Spanish.

### **Noise Mute**

---

Displays a blank gray screen over channels that are too weak to be received clearly.

**On / Off**

### **Front Panel Lock**

---

This allows you to lock the buttons on the side of the TV. **On / Off**

### **Transparency**

---

Change the transparency of the menu screens. **1 / 2 / 3 / 4**

### **Auto Shut Off**

---

This function automatically shuts off your TV when there is no signal from the channel while the TV is on for 10 minutes. **On / Off**



**Setting Continued...**

# Customizing your TV

## **Control with HDMI**

---

If you use a HDMI CEC compatible device, set this setting to “**On**”.

HDMI CEC (Consumer Electronics Control) allows the TV to connect and control multiple HDMI CEC enabled devices with a single remote. CEC (Consumer Electronics Control) is an optional protocol used in HDMI.

- HDMI CEC on this TV is compliant with “High-Definition Multimedia Interface Specification”.
- The TV does not support HDMI CEC functions that are not listed below.
- The TV does not guarantee to support use of all HDMI CEC enabled devices.
- Devices that are not enabled to HDMI CEC cannot be controlled with this TV.

### **– Control the TV using the HDMI CEC enabled device –**

- Turn the TV on and switch to the video source of the operating device.
- Switch to the video source of the operating device.
- Turn the TV off with the HDMI CEC enabled device you are viewing.
- For operating instructions of the device, refer to the device’s manual.

### **– Control the HDMI CEC enabled device using the TV –**

- Turn off the operating device by turning off the TV.
- Some device may not support this function. For more details refer to the device’s manual.

### **– Send status of the TV to the HDMI CEC enabled device –**

- When switching the TV’s external input or channel.
- When switching the TV’s menu language.
- Information regarding behavior of the device when status is received, refer to the external device’s manual.

### **If HDMI CEC does not work correctly:**

- When HDMI CEC enabled device is connected to INPUT 1, INPUT 2 or INPUT 3 with an HDMI cable, you may not be able to control TV’s external input. To solve the problem set this setting to “**Off**”.

## **System Info**

---

You can confirm the TV’s software version.

## **Auto Demo**

---

**Auto Demo** explains this TV’s features to you.

### **Notes:**

- The **Auto Demo** mode will start automatically when you set **Retail** in Initial Setup.
- If you press any button on the television or remote, with the exception of **POWER** or **MENU**, the **Auto Demo** mode will stop for 30 seconds. After 30 seconds have passed with no operation, the **Auto Demo** mode will start again.
- If you want to turn off the **Auto Demo**, press the **MENU** button.

## Optical Out

---

You can select the optical digital sound output as PCM or DOLBY DIGITAL when your TV is connected to an amplifier that has a DOLBY DIGITAL decoder. If you select DOLBY DIGITAL, you can enjoy listening to 5.1ch sound when watching digital broadcasts. This only applies to digital channels.

### Notes:

- Optical Out can be used for both digital and analog channels.
- If your amplifier does not have DOLBY DIGITAL decoder, select PCM. If you don't select PCM, it cannot output the sound from the speakers.
- For connecting an amplifier using the optical output, see page 60.

# Connecting Your Devices

## Notes:

- The following connection diagrams are examples on connecting some of the most common devices to your TV. Please refer to your device's instruction manual on other connection methods or for devices not shown here in this instruction book.
- When you are finished connecting your devices, turn on your TV and devices.

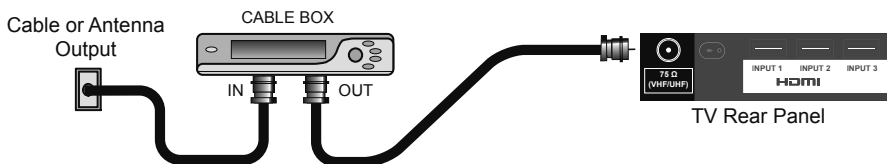
## Connect an Antenna or Basic Cable



## Notes:

- If you are able to receive ATSC (Digital terrestrial) signal, High Definition (HD) broadcasting can be watched.
- All digital broadcasting is not necessary High Definition. Check by pressing the **DISPLAY** button.
- Digital broadcasting is not available in all areas.

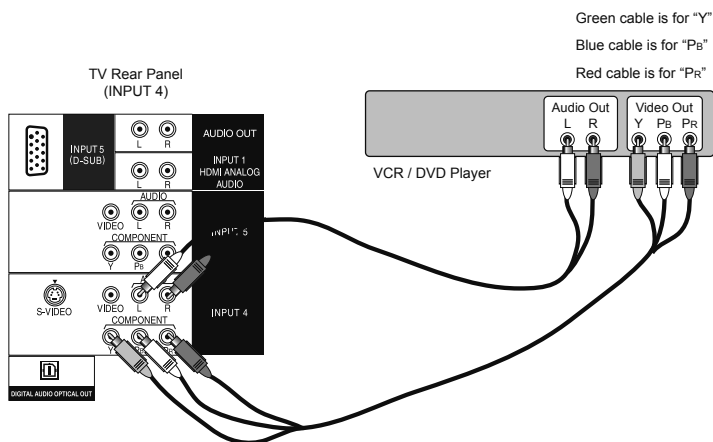
## Connect a Cable Box



## Note:

- To view channels on your cable box, make sure your TV's channel is set to 2, 3 or 4 (depending on the area you live in).

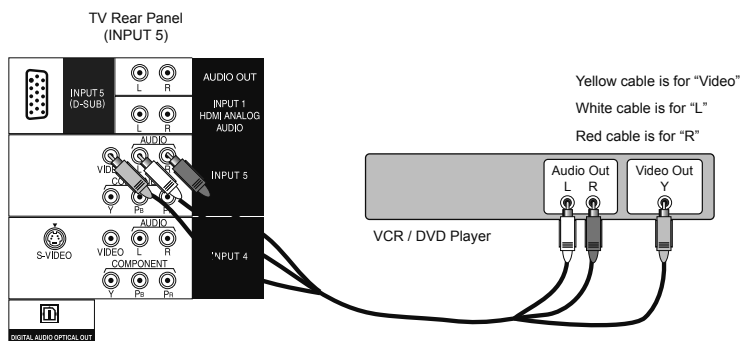
## Connect a VCR / DVD Player using Component Video



### Notes:

- Green, blue and red are the most common colors for Component Cables. Some models may vary in color.
- To watch your VCR / DVD player, make sure your TV is displaying INPUT 4 or INPUT 5 by pressing the **V4** or **V5** button on your remote control.

## Connect a VCR / DVD Player using Composite Video

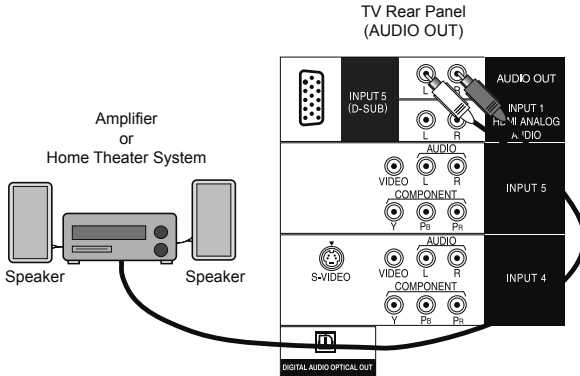


### Notes:

- Yellow, white and red are the most common colors for Composite Cables. Some models may vary in color.
- To watch your VCR / DVD player, make sure your TV is displaying INPUT 4 or INPUT 5 by pressing the **V4** or **V5** button on your remote control.
- If your device has S-Video Output, you can use that instead of using Composite Cables. Connect INPUT 4 (S-VIDEO) and S-video Output with an S-Video Cable.

# Connecting Your Devices

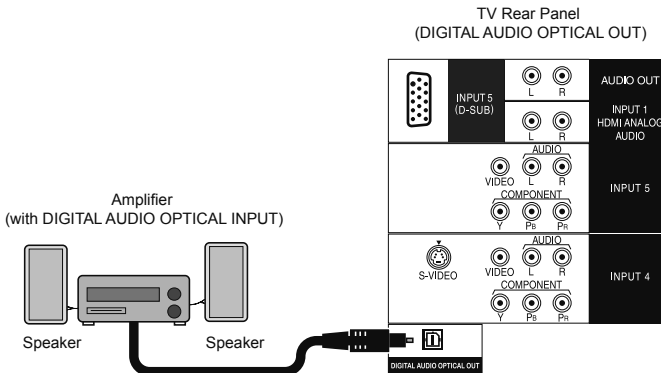
## Connect an Amplifier or Home Theater System



### Notes:

- Refer to your amplifier's or Home Theater System's manual for more information.
- If you have a device connected to INPUT 1, INPUT 2 or INPUT 3, you will not be able to hear any audio from the AUDIO OUT on the back of the TV otherwise.

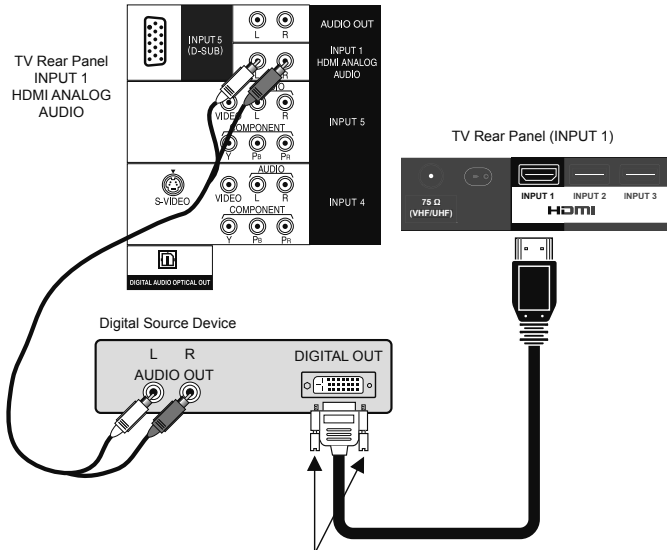
## Connect an Amplifier using the DIGITAL AUDIO OPTICAL OUT



### Notes:

- Refer to your amplifier's manual for more information.
- This terminal can only output digital audio (PCM or DOLBY DIGITAL).
- In order to use the optical output connection, select PCM or DOLBY DIGITAL. See page 43.
- You can not output sound from your DIGITAL AUDIO OPTICAL OUT connection if the audio source is from your HDMI device.

## Connect a Digital Source Device

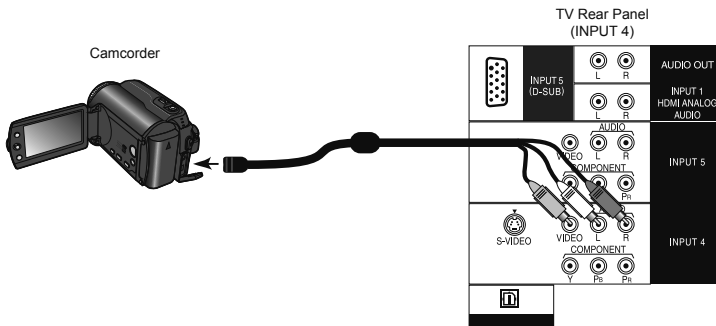


After the connections have been made, tighten the screw to secure the cables.

### Notes:

- To watch your digital source device, make sure your TV is displaying INPUT 1 by pressing the **V1** button on your remote control.
- This TV can accept 480i, 480p, 720p, 1080i and 1080p signals via HDMI.
- The INPUT 1 HDMI ANALOG AUDIO input can only be used with INPUT 1.

## Connect a Camcorder

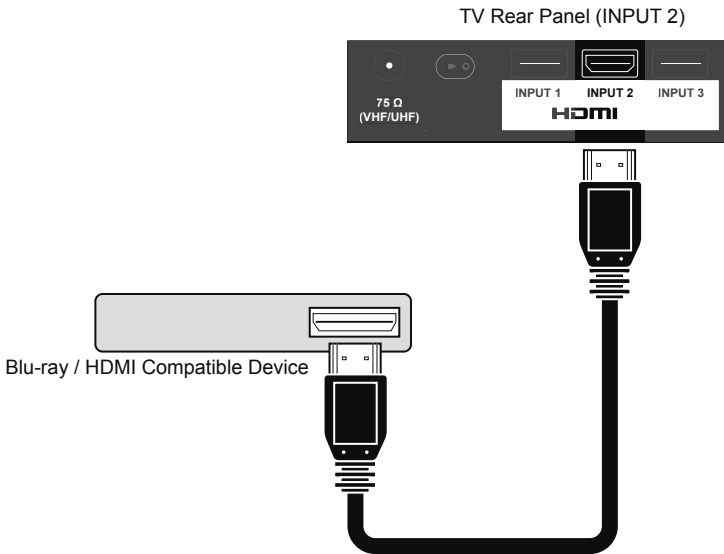


### Notes:

- To watch video from your camcorder, make sure your TV is displaying INPUT 4 or INPUT 5 by pressing the **V4** or **V5** button on your remote control.
- If your device has S-Video Output, you can use that instead of using Composite Cables. Connect INPUT 4 (S-VIDEO) and S-video Output with an S-Video Cable.

# Connecting Your Devices

## Connect a Blu-ray or HDMI Device

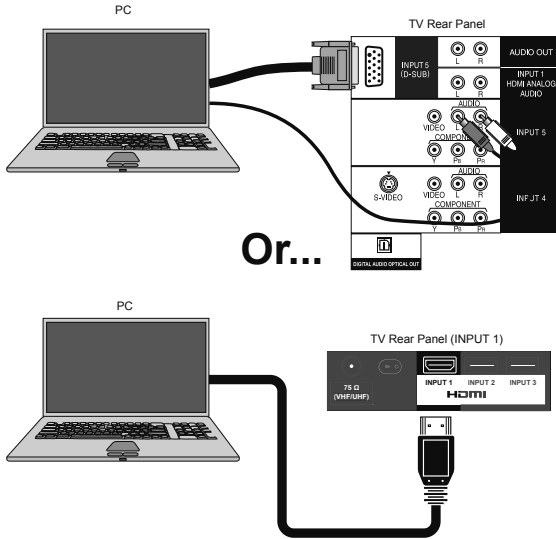


### Notes:

- To watch your Blu-ray or HDMI device, make sure your TV is displaying INPUT 1, INPUT 2 or INPUT 3 by pressing the **V1**, **V2** or **V3** button on your remote control.
- Some decoders may not respond depending on the equipment that is connected to the HDMI.
- This TV can accept 480i, 480p, 720p, 1080i and 1080p signals via HDMI.
- This JVC television can accept a variety of HD signals, including 720p, 1080i, 1080p/24Hz, 1080p/30Hz and 1080p/60Hz. Please note that in some cases, a Blu-ray may only offer the choice of 1080/60i or 1080/24p. In this case, it is necessary to choose the 1080/60i output. Please refer to your Blu-ray manual for complete details on choosing the correct output.
- Some HDMI Output Devices may fail to detect this TV as a 1080p device. If this occurs, manually select 1080p on the HDMI Output Device.



## Connect a Computer



### Notes:

- Make sure your TV is displaying INPUT 1, INPUT 2, INPUT 3 or INPUT 5 by pressing the **V1**, **V2**, **V3** or **V5** button on your remote control.
- When you connect a PC using HDMI-DVI cable, connect an audio cable to INPUT 1 HDMI ANALOG AUDIO on the TV.
- Use a D-SUB cable with ferrite cores and no longer than 3 meters to avoid electromagnetic disturbances.
- Refer to your computer's manual for more information.

Format	Resolution	V. Frequency (Hz)	H. Frequency (kHz)
VGA	640 x 480	60	31.5
SVGA	800 x 600	60	37.9
XGA	1024 x 768	60	48.4

D-SUB

Format	Resolution	V. Frequency (Hz)	H. Frequency (kHz)
VGA	640 x 480	60	31.5
SVGA	800 x 600	60	37.9
XGA	1024 x 768	60	48.4
FHD	1920 x 1080	60	67.4

HDMI

### Notes:

- Depending on signal quality, some pictures may not be displayed correctly.
- Computers that cannot set the refresh rate to 60 Hz, cannot be used with this TV.
- If you are inputting a PC signal that is invalid, **"No signal or Signal can not be displayed"** will appear on the TV screen. It appears when the input is PC and it is a single screen.
- When you connect a PC using an HDMI cable, the TV image may not be displayed correctly.

# Troubleshooting

Refer to the table below to check the condition. If you think that there is a problem, contact the JVC Service Center where you purchased the television.

## There is no power

- See if the power cord became unplugged.
  - Check for a blown fuse or circuit breaker or a power outage.
- 

## There is no picture or sound

- The antenna could be disconnected.
  - The tuner could be set improperly. See page 44.
  - The TV station may be having difficulties. Check to see if other stations are working.
  - Use the HDMI cable with HDMI logo.
  - If you have a device connected to INPUT-1, INPUT-2 or INPUT-3, you will not be able to hear any audio from the AUDIO OUT on the back of the TV.
  - You cannot output audio using the DIGITAL AUDIO OPTICAL OUT when you have digital sound from an HDMI device connected to the INPUT-1, INPUT-2 or INPUT-3 connection on the back of the TV.
  - This TV can accept 480i (Composite / S / HDMI / Component), 480p, 720p, 1080i and 1080p signals. Please check your settings.
- 

## Remote control is not operating properly or at all

- Check to see that the batteries are still working and properly installed.
  - Make sure the remote has a clear sight path to the TV.
  - You may be too far from the TV. You must be within 23 feet (7 meters).
- 

## The power turns off by itself

- Make sure the set did not become unplugged.
  - Perhaps the **Auto Shut Off** is set. See page 41.
  - Check to see if the **Sleep Timer** was set. See page 19.
- 

## It does not operate correctly

- This television is operated by a microprocessor. It is possible that external noise or interference is causing the problem. If the television does not function correctly, remove the electrical plug from the wall outlet and wait a while before inserting it into the wall outlet again and operating the television.
- 

## The color quality is poor

- **Tint** and **Color** may be improperly adjusted. See page 26.
  - The **Video Status** mode may be turned to the wrong setting. See page 26.
- 

## There are lines across the picture

- There could be interference from another electrical appliance, such as a computer, another TV or VCR. Move any such appliances further away from the TV.
- 

## The picture is spotted

- There could be interference from a high-wattage appliance, like a hairdryer or vacuum, operating nearby. Move the antenna away from the appliance or change to a coaxial cable connection which is less prone to interference.
- 

## There are double pictures (ghosts)

- A building or passing airplane can reflect the original signal and produce a second, slightly delayed one. Adjust your antenna position.

### **Picture is snowy (image noise)**

- Your antenna may be damaged, disconnected or turned. Check the antenna connection. If the antenna is damaged, replace it.

---

### **Screen is 80% black**

- The Closed Caption Text mode is on. Turn it off in the **Closed Caption** menu, page 31.

---

### **Stereo or bilingual programs can't be heard**

- Make sure the **MTS** settings are correct. See page 39.

---

### **Static electricity**

- It is normal to feel static electricity if you brush or touch the screen.

---

### **You hear occasional crackling sounds**

- It is normal for the TV to make crackling sounds when first turned on or off. Unless the sound or picture become abnormal, this is fine.

---

### **The picture is slightly cut off when you use 1080p format only**

- Change the picture format setting on your external device to 1080i or other resolution.

---

### **The screen disappears except for the menu screen**

- This occurs when you select a digital menu when your input source is from the HDMI connection. Press the **MENU** button.

---

### **My HDMI device doesn't work or doesn't work properly**

- Please use a High Speed HDMI™ Cable. High Speed HDMI™ Cable are tested to carry an HD signal up to 1080p and higher.

---

### **No signal or signal can not be displayed**

- This OSD appears when the digital channel that you have selected is too weak to receive or no signal is being detected for that channel.
- It appears when that channel is not receiving a signal and you have the **Noise Mute** function **Off** and you have a single screen. It moves automatically every two seconds to prevent the screen from burn-in.
- Even if "**No signal or signal can not be displayed**" appears on the screen, your timer functions and auto shut off functions that you set, are still active.

### **The following are not malfunctions.**

- The television may make a creaking sound if the temperature of the room or the temperature of the inside of the television changes. If there is no problem with the screen or sound, then there is no need to worry.
- The picture may be temporarily disturbed and noise may be seen on the screen if the power is turned on immediately after it has been turned off. This is not a malfunction.

# Specifications

Model	LT-32J300 LT-32JM30	LT-42J300	LT-46J300
Type	LCD Flat Television		
Reception Format	NTSC, BTSC System (Multi-Channel Sound) ATSC Terrestrial, Digital Cable		
Reception Range	VHF 2 to 13, UHF 14 to 69 at ATSC, CATV 135 Sub, Mid, Super, Hyper and Ultra bands at Digital Cable		
	VHF 2 to 13, UHF 14 to 69 CATV 135 Sub, Mid, Super, Hyper and Ultra bands (191 channel frequency synthesizer system) at Analog • Reception of channel A-5 ("95" of the TV set's on-screen cable channel numbers) is not recommended for your TV set.		
Power Source	AC 120V, 60 Hz		
Power Consumption	152W	215W	215W
Screen Size	32 inch / 80.03 cm measured diagonally, 16:9 ratio	42 inch / 106.73 cm measured diagonally, 16:9 ratio	45.9 inch / 116.80 cm measured diagonally, 16:9 ratio
Audio Output	10W + 10W		
Speakers	4 x 16cm Oblique x 2		
Antenna Terminal (VHF/UHF, ATSC/DIGITAL CABLE IN)	75 ohms (VHF/UHF)(F-type connector)		
Input 4, 5 Terminal	480i S (Input 4) Y: 1 Vp-p positive, 75 ohms (negative sync provided) C: 0.286 Vp-p (burst signal), 75 ohms Video: 1 Vp-p, 75 ohms Audio: 500 mVrms (-4dBs) high impedance		
Input 4, 5 Terminal (Component Terminal)	1080i / 720p / 480p / 480i Y: 1 Vp-p positive, 75 ohms (negative sync provided) Pb/Pk: 0.7 Vp-p 75 ohms		
Input 1, 2, 3 Terminal (HDMI Input Terminal)	Video: 1080p / 1080i / 720p / 480p / 480i Audio: 2ch PCM, 32 / 44.1 / 48 KHz 16 / 20 / 24 bit		
PC Input Jacks	Analog RGB D-SUB (15 pin) x 1		
Audio Output Jacks (FIX)	FIX : 500mVrms (-4dBs), Low Impedance		
Optical Output Digital Audio	Digital Out (optical) x 1		
Dimensions (inch/mm) W X H X D	31 1/4 x 23 1/2 x 9 1/8 (with stand) 792 x 595.7 x 230 (with stand)	39 7/8 x 28 7/8 x 11 5/8 (with stand) 1013.6 x 733.5 x 296 (with stand)	44 3/8 x 31 1/2 x 11 5/8 (with stand) 1127 x 799.7 x 296 (with stand)
	31 1/4 x 21 1/2 x 4 3/8 (without stand) 792 x 544.9 x 109.6 (without stand)	39 7/8 x 26 5/8 x 4 1/2 (without stand) 1013.6 x 677.3 x 114.8 (without stand)	44 3/8 x 29 1/4 x 4 1/2 (without stand) 1127 x 743.5 x 114.8 (without stand)
Weight (lbs / kg)	28.6 / 13.0 (with stand)	49.1 / 22.3 (with stand)	55.4 / 25.2 (with stand)
	26.8 / 12.2 (without stand)	45.5 / 20.7 (without stand)	51.9 / 23.6 (without stand)

Specifications subject to change without notice.



# LIMITED WARRANTY

1-1 USA ONLY

ONLY FOR PRODUCT PURCHASED IN U.S.A.

JVC Americas Corp. (JVC) warrants this product and all parts thereof, except as set forth below ONLY TO THE ORIGINAL RETAIL PURCHASER to be FREE FROM DEFECTIVE MATERIALS AND WORKMANSHIP from the date of original purchase for the period shown below. ("The Warranty Period")

PARTS	<b>1 YR</b>	LABOR	<b>1 YR</b>
-------	-------------	-------	-------------

**THIS LIMITED WARRANTY IS VALID ONLY IN THE FIFTY (50) UNITED STATES, THE DISTRICT OF COLUMBIA AND IN THE COMMONWEALTH OF PUERTO RICO.**

**WHAT WE WILL DO:**

If this product is found to be defective within the warranty period, JVC will repair or replace defective parts with new or rebuilt equivalents at no charge to the original owner. Such repair and replacement services shall be rendered by JVC during normal business hours at JVC authorized service centers. Parts used for replacement are warranted only for the remainder of the Warranty Period. All products may be brought to a JVC authorized service center on a carry-in basis. Color televisions with a screen size of 37" class or greater qualify for in-home service. In such cases, a technician will come to your home and either repair the TV there or remove and return it if it cannot be repaired in your home.

**WHAT YOU MUST DO FOR WARRANTY SERVICE:**

Please do not return your product to the retailer  
Instead, return your product to the JVC authorized service center nearest you. If shipping the product to the service center, please be sure to package it carefully, preferably in the original packaging, and include a brief description of the problem(s). Please call 1-800-252-5722 to locate the nearest JVC authorized service center. Service locations can also be obtained from our website <http://www.jvc.com>. If your product qualifies for in-home service, the service representative will require clear access to the product.

If you have any questions concerning your JVC Product, please contact our Customer Care Center at 800-252-5722

**WHAT IS NOT COVERED:**

This limited warranty provided by JVC does not cover:

1. Products which have been subject to abuse, accident, alteration, modification, tampering, negligence, misuse, faulty installation, lack of reasonable care, or if repaired or serviced by anyone other than a service facility authorized by JVC to render such service, or if affixed to any attachment not provided with the products, or if the model or serial number has been altered, tampered with, defaced or removed;
2. Initial installation, installation and removal from cabinets or mounting systems.
3. Operational adjustments covered in the Owner's Manual, normal maintenance, video and audio head cleaning;
4. Damage that occurs in shipment, due to act of God, and cosmetic damage;
5. Signal reception problems and failures due to line power surge;
6. User Removal Memory Devices/Video Pick-up Tubes/CCD Image Sensors are covered for 90 days from the date of purchase;
7. Accessories;
8. Batteries (except that Rechargeable Batteries are covered for 90 days from the date of purchase);
9. Products used for commercial purposes, including, but not limited to rental.
10. Loss of data resultant from malfunction of hard drive or other data storage device;

There are no express warranties except as listed above.

THE DURATION OF ANY IMPLIED WARRANTIES, INCLUDING THE IMPLIED WARRANTY OF MERCHANTABILITY, IS LIMITED TO THE DURATION OF THE EXPRESS WARRANTY HEREIN.

JVC SHALL NOT BE LIABLE FOR ANY LOSS OF USE OF THE PRODUCT, INCONVENIENCE, OR ANY OTHER DAMAGES, WHETHER DIRECT, INCIDENTAL OR CONSEQUENTIAL (INCLUDING, WITHOUT LIMITATION, DAMAGE TO TAPES, RECORDS OR DISCS) RESULTING FROM THE USE OF THIS PRODUCT, OR ARISING OUT OF ANY BREACH OF THIS WARRANTY. ALL EXPRESS AND IMPLIED WARRANTIES, INCLUDING THE WARRANTIES OF MERCHANTABILITY AND FITNESS FOR PARTICULAR PURPOSE, ARE LIMITED TO THE WARRANTY PERIOD SET FORTH ABOVE.

Some states do not allow the exclusion of incidental or consequential damages or limitations on how long an implied warranty lasts, so these limitations or exclusions may not apply to you. This warranty gives you specific legal rights and you may also have other rights which vary from state to state.

**JVC AMERICAS CORP.**

1700 Valley Road, Wayne, New Jersey 07470  
<http://www.jvc.com>

REFURBISHED PRODUCTS CARRY A SEPARATE WARRANTY, THIS WARRANTY DOES NOT APPLY. FOR DETAIL OF REFURBISHED PRODUCT WARRANTY, PLEASE REFER TO THE REFURBISHED PRODUCT WARRANTY INFORMATION PACKAGED WITH EACH REFURBISHED PRODUCT.

**For customer use:**

Enter below the Model No. and Serial No. which is located either on the rear, bottom or side of the cabinet. Retain this information for future reference.

Model No. :	Serial No. :
Purchase date :	Name of dealer :

# Notes



# **TO OUR VALUED CUSTOMER** \_\_\_\_\_

THANK YOU FOR PURCHASING THIS JVC PRODUCT.  
WE WANT TO HELP YOU ACHIEVE A PERFECT EXPERIENCE.

**NEED HELP ON HOW TO HOOK UP?  
NEED ASSISTANCE ON HOW TO OPERATE?  
NEED TO LOCATE A JVC SERVICE CENTER?  
LIKE TO PURCHASE ACCESSORIES?**

**JVC<sup>®</sup> IS HERE TO HELP!**

**U.S.A.**

TOLL FREE: 1 (800) 252-5722  
<http://www.jvc.com>

**Canada**

TOLL FREE: 1 (800) 964-2650  
<http://www.jvc.ca>

Remember to retain your Bill of Sales for Warranty Service.

**Digital Television Transition Notice:**

This device contains a digital television tuner, so it should receive digital over the air TV programming, with a suitable antenna, after the end of full-power analog TV broadcasting in the United States on June 12, 2009.

Some older television receivers, if they rely on a TV antenna, will need a TV Converter to receive over the air digital programming, but should continue to work as before for other purposes (e.g., for watching low-power TV stations still broadcasting in analog, watching pre-recorded movies, or playing video games).

For more information, see <http://www.DTV.gov> or call 1-888-CALL-FCC. For converter box information, see <http://www.dtv2009.gov> or call the NTIA at 1-888-DTV-2009.

**JVC COMPANY OF AMERICA**  
Division of JVC Americas Corp.  
1700 Valley Road  
Wayne, New Jersey, 07470

**JVC<sup>®</sup>**

**JVC CANADA, INC.**  
21 Finchdene Square  
Scarborough, Ontario  
Canada, M1X 1A7