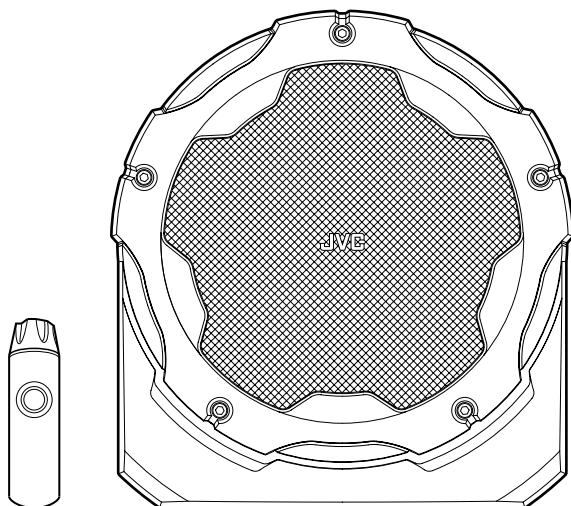


JVC



ACTIVE SUBWOOFER SYSTEM SYTÈME DE CAISSON DE GRAVE ACTIF SISTEMA DE SUBWOOFER ACTIVO

CS-DA1



INSTRUCTIONS *MANUEL D'INSTRUCTIONS* *MANUAL DE INSTRUCCIONES*

For Customer Use:
Enter the Model No. and Serial No.
which are located on the top or
bottom of the cabinet. Retain this
information for future reference.

Model No. _____

Serial No. _____

LVT1554-003A
[J]

ENGLISH

FRANÇAIS

ESPAÑOL

INFORMATION (For U.S.A.)

This equipment has been tested and found to comply with the limits for a Class B digital device, pursuant to Part 15 of the FCC Rules. These limits are designed to provide reasonable protection against harmful interference in a residential installation. This equipment generates, uses, and can radiate radio frequency energy and, if not installed and used in accordance with the instructions, may cause harmful interference to radio communications.

However, there is no guarantee that interference will not occur in a particular installation. If this equipment does cause harmful interference to radio or television reception, which can be determined by turning the equipment off and on, the user is encouraged to try to correct the interference by one or more of the following measures:

- Reorient or relocate the receiving antenna.
- Increase the separation between the equipment and receiver.
- Connect the equipment into an outlet on a circuit different from that to which the receiver is connected.
- Consult the dealer or an experienced radio/TV technician for help.

Caution

Changes or modifications not approved by JVC could void the user's authority to operate the equipment.

For safety....

- Do not raise the volume level too much, as this will block outside sounds, making driving dangerous.

CAUTIONS AND NOTES

This unit is designed to operate on 12 V DC, **NEGATIVE ground electrical systems**.

- To prevent short circuits, we recommend that you disconnect the battery's negative terminal and make all electrical connections before installing the unit.
- Cover the unused terminals with insulating tape to prevent them from short circuiting.
- When an extension lead is used, it should be as thick and short as possible; connect it firmly with insulating tape.
- Be sure to leave an appropriate space between the antenna and the wires of this unit.
- When replacing the fuse, only use a **15 A** fuse.
- Do not let foreign objects get inside the unit.
- To keep the heat dissipation mechanism running effectively, wipe the accumulated dust off periodically.
- Using this subwoofer system with the volume on loud for a long period of time will exhaust the battery, while the engine is turned off or while the engine is idling.
- This unit becomes very hot. Be careful not to touch the unit not only when using but for a while after using.

DO NOT disassemble the units since there are no user serviceable parts inside.



[European Union only]

Attention

Tout changement ou toutes modifications non approuvés par JVC peut annuler l'autorité de l'utilisateur d'utiliser l'appareil.

Pour votre sécurité....

- N'augmentez pas trop le niveau du volume car cela peut bloquer les sons de l'extérieur et rendre la conduite dangereuse.

ATTENTION ET REMARQUES

Cet appareil est conçu pour fonctionner avec système électrique de 12 V CC avec mise à la masse NÉGATIVE.

- Pour éviter les courts-circuits, nous vous recommandons de déconnecter la borne négative de la batterie et de réaliser toutes les connexions électriques avec d'installer l'appareil.
- Recouvrir les bornes inutilisées avec du ruban isolant pour éviter de les court-circuiter.
- Si vous utilisez un fil de prolongement, celui-ci doit être aussi épais et aussi court que possible. Connectez-le solidement avec un ruban adhésif.
- Bien laisser un espace suffisant entre l'antenne et les fils de cet appareil.
- Lors du remplacement du fusible, utilisez uniquement un fusible de **15 A**.
- Ne laissez pas des objets étrangers pénétrer à l'intérieur de l'appareil.
- Ne pas laisser pénétrer de cailloux, de sable ou d'objets métalliques dans l'appareil.
- Utiliser ce système de caisson de grave à un volume élevé pendant une longue période de temps déchargera la batterie, si le moteur est arrêté ou tourne au ralenti.
- Cet appareil devient très chaud. Faites attention de ne pas le toucher pendant son utilisation mais aussi après son utilisation.

NE DEMONTEZ PAS l'appareil. Il n'y a aucune pièce réparable par l'utilisateur à l'intérieur.



[Union européenne seulement]

Precaución

Los cambios o modificaciones no aprobados por JVC pueden anular la autoridad del usuario para operar el equipo.

Para fines de seguridad....

- No aumente excesivamente el nivel de volumen, pues es muy peligroso conducir si no se escuchan los sonidos exteriores.

PRECAUCIONES Y NOTAS

Esta unidad está diseñada para operar con **sistemas eléctricos de 12 V CC**, con **NEGATIVO a masa**.

- Para evitar cortocircuitos, se recomienda desconectar el terminal negativo de la batería y realizar todas las conexiones eléctricas antes de instalar la unidad.
- Cubra los terminales que no están en uso con cinta adhesiva, para evitar cortocircuitos.
- Si utiliza un cable prolongador, éste debe ser lo más grueso y corto posible; conéctelo firmemente con cinta aislante.
- Asegúrese de dejar un espacio adecuado entre la antena y los cables de esta unidad.
- Cuando reemplace el fusible, utilice únicamente uno de **15 A**.
- No deje que entren objetos extraños dentro de la unidad.
- Impida la entrada de objetos metálicos, arena o piedrecillas dentro de la unidad.
- La batería se descargará si utiliza este sistema de subwoofer a un volumen alto durante un tiempo prolongado, con el motor desconectado o funcionando al ralenti.
- La unidad estará muy caliente. Tenga la precaución de no tocarla, no sólo durante el uso, sino hasta un cierto tiempo después del uso.

NO desarme la unidad; en el interior no hay piezas que pueda reparar el usuario.



[Sólo Unión Europea]

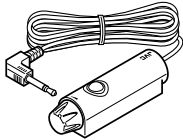
TABLE OF CONTENTS

TABLE OF CONTENTS	1
ACCESSORIES	2
PHASE AND SOUND ADJUSTMENT	3
INSTALLATION	5
CONNECTIONS	9
TROUBLE SHOOTING	13
SPECIFICATIONS	14
DIMENSIONS	14

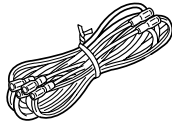
Thank you for purchasing a JVC product. Please read all instructions carefully before operation, to ensure your complete understanding and to obtain the best possible performance from the unit.

ACCESSORIES

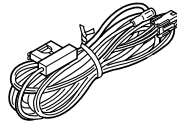
Remote control: RM-RK82
(Cord: 16 ft / 5 m) × 1



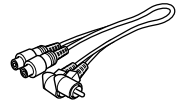
Speaker input cord
(13 ft / 4 m) × 1



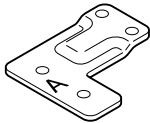
Power cord
(19 ft / 6 m, Length of
speaker input 3.3 ft / 1 m) × 1



L-shaped pin plug relay
cord
(7-7/8 inch / 200 mm) × 1



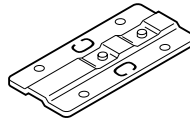
Mounting bracket A × 1



Mounting bracket B × 1



Mounting bracket C × 2



Mounting screw
(Dia. 7/32 inch × 11/32 inch
/ M 5 mm × 8 mm) × 4



Mounting screw
(Dia. 7/32 inch × 1 inch
/ M 5 mm × 25 mm) × 4



Spring washer
(Dia. 7/32 inch / M 5 mm) × 4



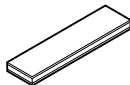
Butterfly nut
(Dia. 7/32 inch / M 5 mm)
× 4



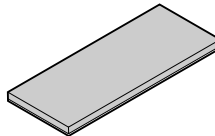
Tapping screw
(Dia. 3/16 inch × 13/16 inch
/ M 4 mm × 20 mm) × 8



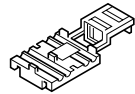
Double-sided tape × 1



Cushion × 3



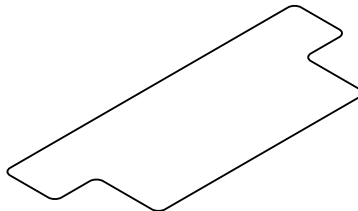
Crimp connector × 1



Wire clamp × 1



Paper pattern × 1



PHASE AND SOUND ADJUSTMENT

Use CD with rich bass sound to test and adjust phase and sound.

Main Unit

INPUT ATT. switch

Normally, set this to "OFF".

AUTO BOOST* switch

Set this to "ON" when using the remote control.

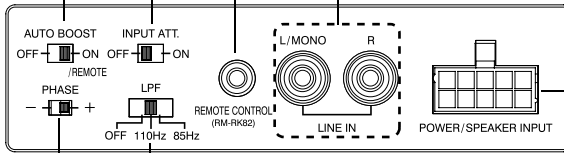
*This function adjusts the tones automatically so that bass tones can be heard even when the volume is low.

REMOTE CONTROL terminal

Connect the remote control.

LINE IN terminal

Use this when connecting to the line output or subwoofer output of the car stereo.
Use L/MONO terminal when the subwoofer output is monaural.



PHASE switch

Switch to the position (+/-) which gives you better sound.

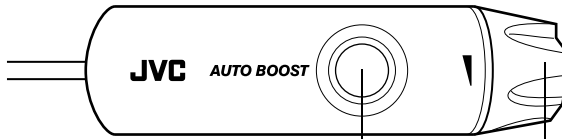
LPF (Low Pass Filter) switch

Switches the cutoff frequency.

POWER/SPEAKER INPUT terminal

Connects the power cord.

Remote Controller



AUTO BOOST switch

Turns on and off the subwoofer output. When it is on, the lamp lights up.
ON: Blue, OFF: Green

Volume

- Adjust the subwoofer output level.
- Adjust the sound within the acceptable range (no distortion).

Note

To prevent failure due to excessive input of bass tone and deafening sound, use this unit under the following conditions.

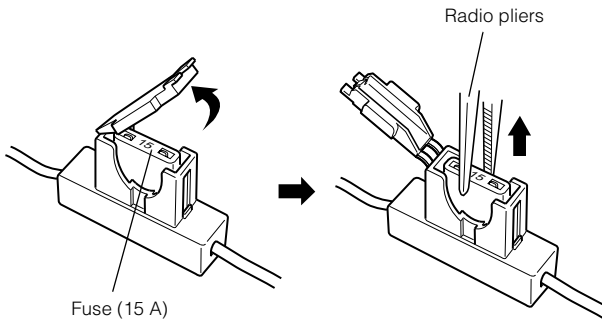
- Use the tone control for the connected car stereo under flat condition.
 - Loudness control: OFF
 - BASS: Flat
 - Graphic equalizer: Set bass to flat
- When using the speaker input terminal, connect to a car stereo or power amplifier with output 60W and below for each channel.
- When the line output or subwoofer output of the car stereo exceeds 2 V, switch the INPUT ATT. switch to "ON".

Maintenance

- Use a soft, dry cloth to wipe off any dirt on the surface.
- Coating on the unit may come off and change color if it comes into contact with car wax or volatile liquids such as alcohol, thinner or gasoline.

Changing fuse

- The fuse of this unit is 15 A.
If the fuse blows out soon even after replacing, please consult our authorized dealers.



INSTALLATION

To prevent a short circuit during operation, be sure to disconnect the minus ⊖ terminal cord of the battery.

Connect the cord and set the switch of the unit in advance.

CAUTION

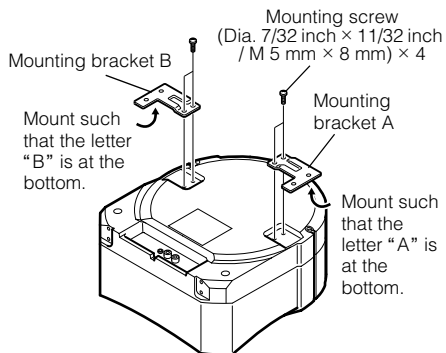
This unit is an active subwoofer system.

To enjoy this unit safely and comfortably, please take note of the following points.

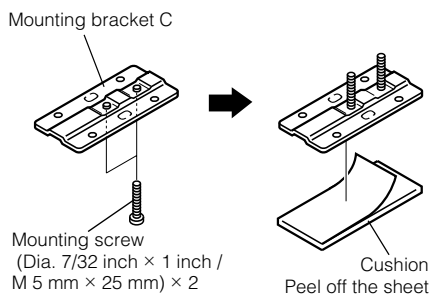
- It is very dangerous if the screws are loosened due to vibration caused by driving. When mounting this unit to a carpet, use the attached mounting brackets and screws and secure tightly.
- Do not use double-sided tape or masking tape to secure or place this unit at the back passenger seat. Disregarding safety while using the unit is very dangerous.
- Before mounting, be sure to disconnect the minus ⊖ terminal cord of the battery.
- When connecting to a car stereo, please also refer to the instruction manual of the car stereo.
- This unit generates a strong magnetic field. Never place cassette tapes or magnetic cards nearby the unit; otherwise, data recorded in those media may be erased.

Procedures for horizontal installation

1 Mount mounting brackets A and B at the back of the unit

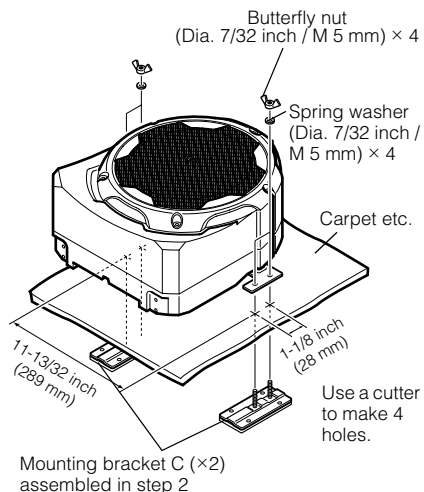


2 Tighten screws on mounting bracket C and attach a cushion to it



- Assemble two mounting brackets C.

3 Make a hole in the carpet, place the assembled mounting brackets C below and secure with butterfly nuts



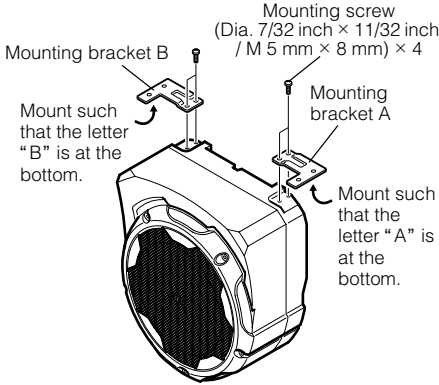
- Use the paper pattern to determine the positions.

CAUTION

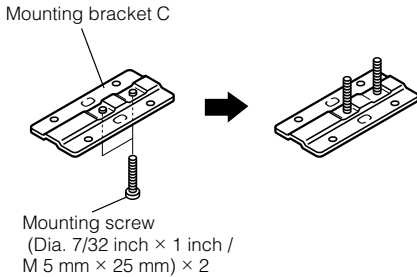
If the cushion is not attached to the mounting bracket C, you will hear a scrapping sound when the unit comes into contact with the car body as the car moves and vibrates.

Procedures for vertical installation

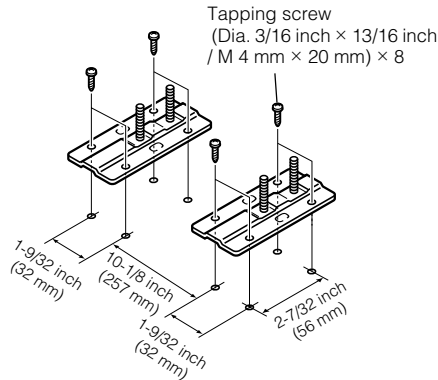
1 Mount mounting brackets A and B at the bottom of the unit



2 Tighten screws on mounting bracket C and mount it in the car

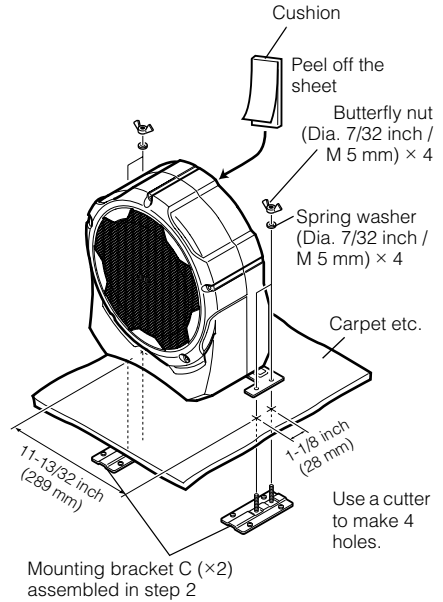


- Assemble two mounting brackets C.



- Use the paper pattern to determine the position and mount the unit in the car.

3 Make a hole in the carpet and secure the mounted mounting brackets C with butterfly nuts



- Use the paper pattern to determine the positions.
- Attach the cushion when the back of the unit comes into contact with the car.

CAUTION

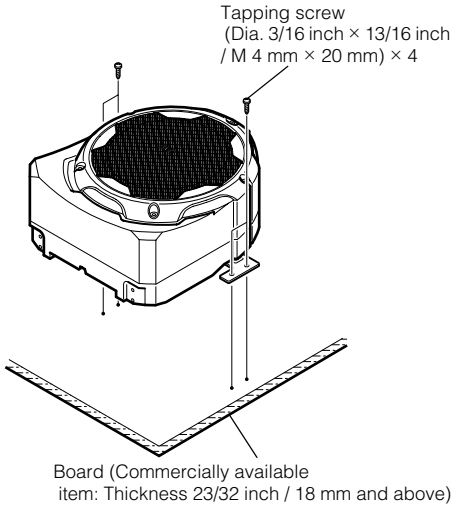
Be sure to check the positions of piping, tanks and electrical wiring and do not interfere or touch these items when making holes in the car to mount the unit. Treat the machined areas with anti-rust and waterproof measures.

- If left untreated, they may cause traffic accidents or fire.

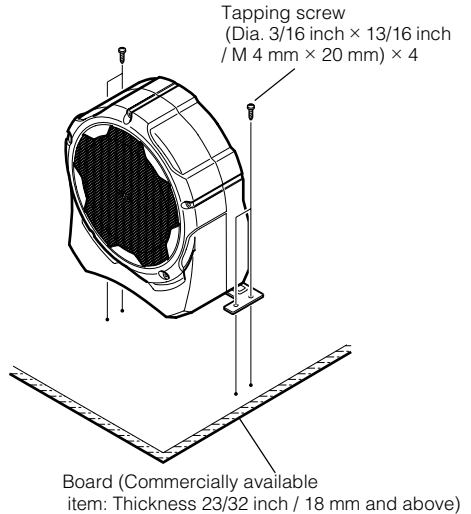
Mounting on a commercially available board

After step 1, use screws to secure the unit on the commercially available board. In this case, the mounting bracket C need not be used.

Horizontal installation

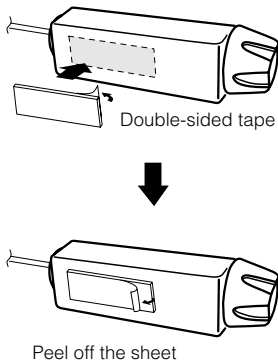


Vertical installation



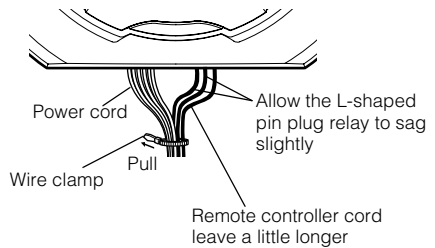
Attaching the remote controller

Do not place the remote controller where it will be exposed to direct sunlight.



How to use the wire clamp

To prevent the remote control cord or the L-shaped pin plug relay cord from falling off due to vibration, secure all cords with the attached wire clamp after all connection is completed.



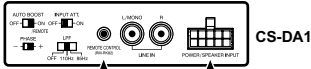
NOTE:

- Clean the item thoroughly before attaching.

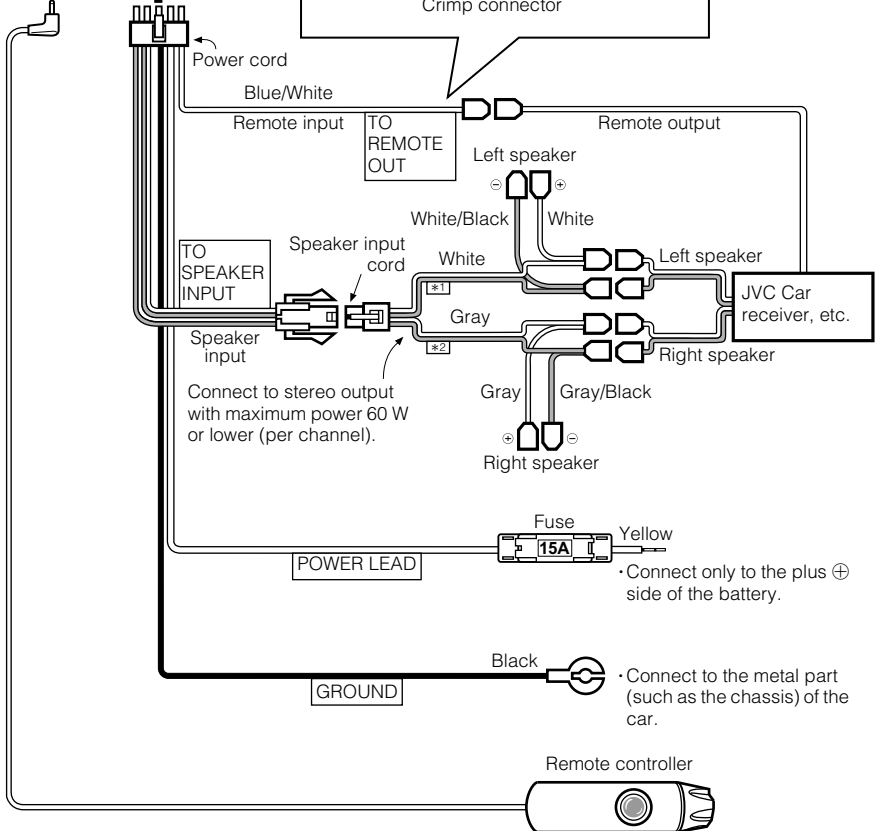
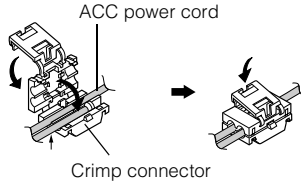
CONNECTIONS

When using speaker input terminal

Set the LPF switch to either "110 Hz" or "85 Hz" according to your preference.



When no remote output is equipped for your car receiver, connect to the ACC power.



*1: TO L CHANNEL SPEAKER OUTPUT

*2: TO R CHANNEL SPEAKER OUTPUT

NOTES:

- The volume of this unit is set to the maximum when the remote controller is not connected.
- If your receiver is equipped with the DSP (Digital Signal Processor), connect this unit to the front speaker output of the receiver.

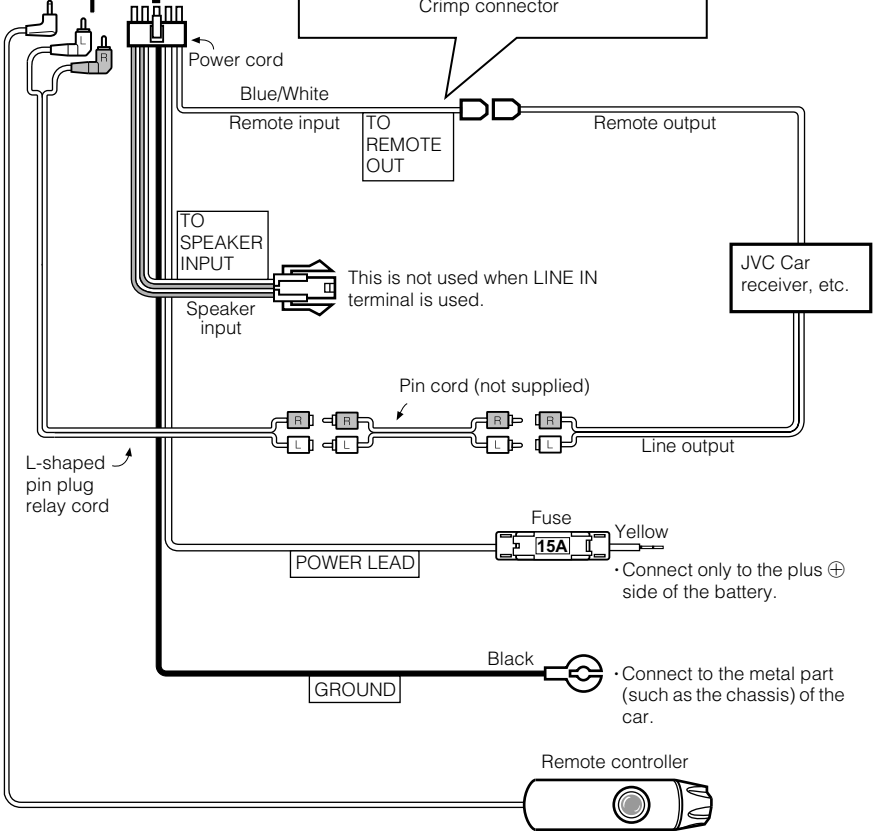
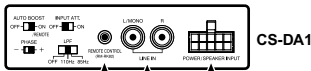
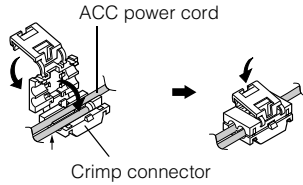
When using LINE IN terminal

[Connecting to line output]

Set the LPF switch to either "110 Hz" or "85 Hz" according to your preference.



When no remote output is equipped for your car receiver, connect to the ACC power.



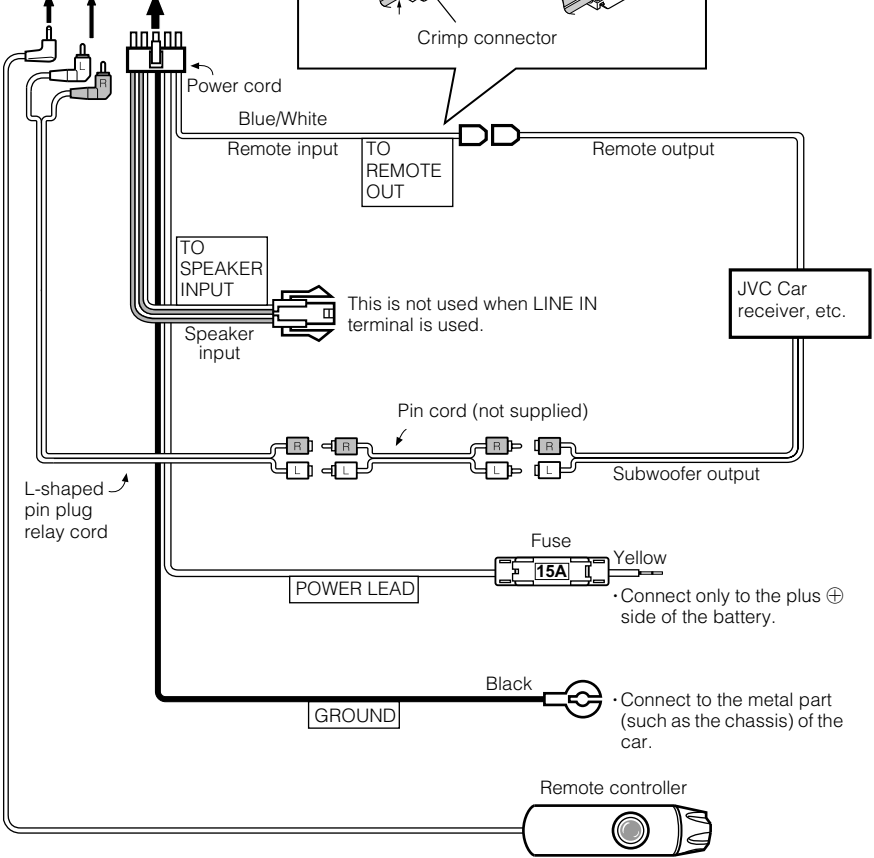
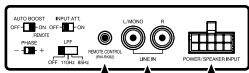
NOTES:

- The volume of this unit is set to the maximum when the remote controller is not connected.
- If your receiver is equipped with the DSP (Digital Signal Processor), connect this unit to the front speaker output of the receiver.

[Connecting to subwoofer output]

Set the LPF switch to "OFF".

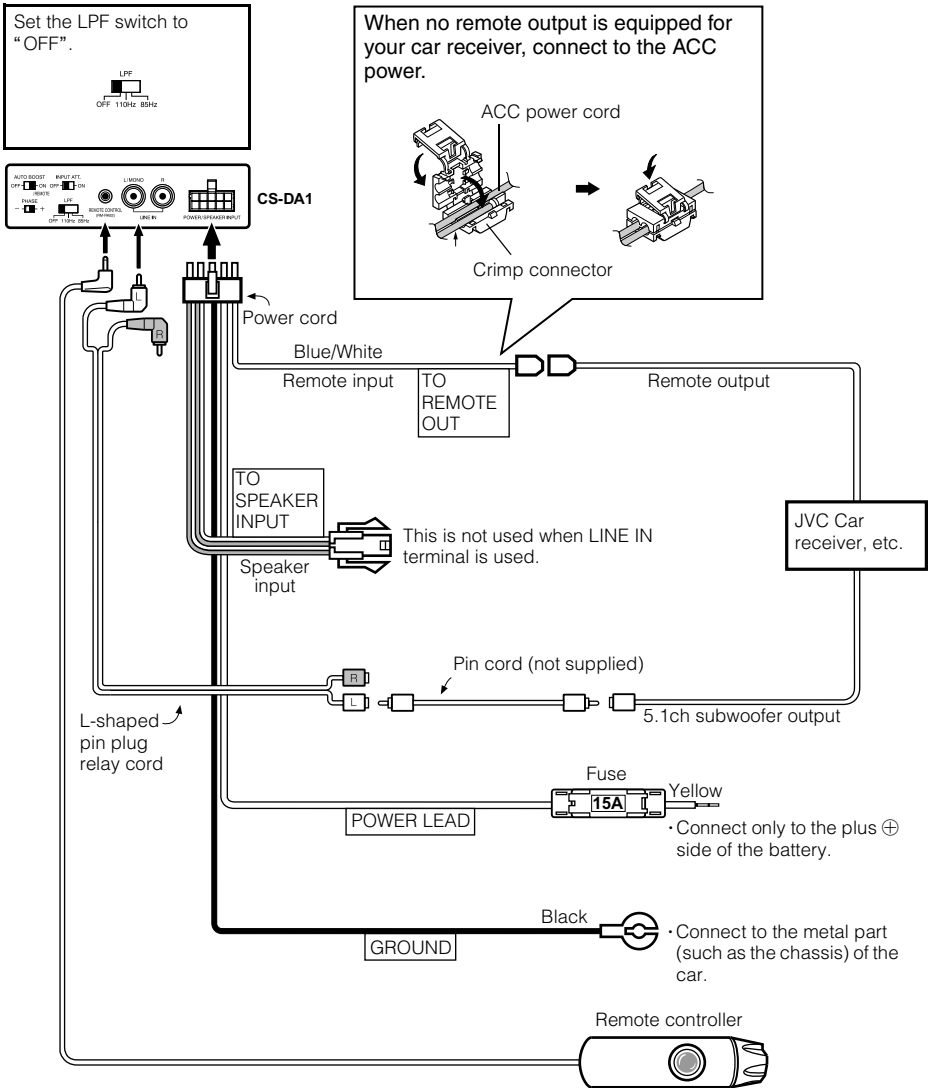
When no remote output is equipped for your car receiver, connect to the ACC power.



NOTES:

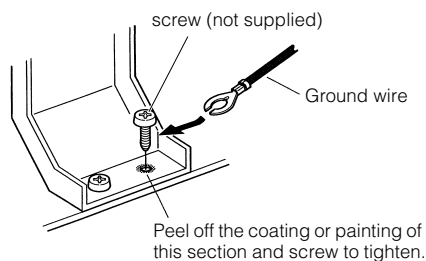
- Set the subwoofer output level of the car stereo to the maximum and use the remote control to adjust the volume of the unit. (However, when the sound of the unit becomes distorted, lower the subwoofer output level of the car stereo.)
- When the subwoofer output is 1 channel, connect to Lch. Insulate plugs that are not used with vinyl tapes.

[Connecting to 5.1ch subwoofer output]



NOTES:

- Set the subwoofer output level of the car stereo to the maximum and use the remote control to adjust the volume of the unit. (However, when the sound of the unit becomes distorted, lower the subwoofer output level at the 5.1ch decoder.)
- When the subwoofer output is 1 channel, connect to Lch. Insulate plugs that are not used with vinyl tapes.

CAUTIONS**■ Ground wire connection**

This unit requires a large amount of electrical current during loud volume.

Peel off the coating or painting of the metal part of the car connected to the ground wire and screw to tighten.

If the current cannot flow smoothly, it will cause a poor sound quality, power does not turn on, or the sound will be cut off momentarily.

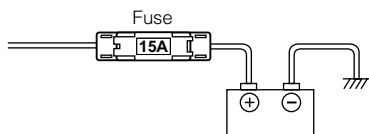
When this happens, check the condition of the ground wire again. If it does not improve, change the location to connect the ground wire.

■ When connecting to power (accessory or memory power) other than the battery.

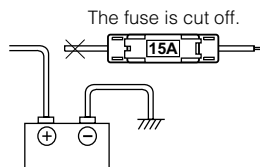
A loud volume may cause the illumination of the car stereo to dim and the fuse may blow. Connect the power cord only to the plus \oplus terminal of the battery.

■ Do not cut off the fuse; otherwise, it may be short-circuited, and cause a fire.

✓ **OK**



⊘ **NO**

**■ Be sure to connect the "remote input" to the "remote output" of the car stereo or to the ACC line (power) of the car.**

When there is no "remote output", connect to ACC line (power).

■ When the line output of the car stereo exceeds 2V, switch the INPUT ATT. switch to "ON".**■ This unit is designed specifically for a DC12V, minus ground vehicle. It cannot be used in a 24V vehicle such as a large truck.****■ When remote control is not used, the volume of this unit is fixed at the maximum level.**

After connection, reconnect the battery negative terminal and make sure stop lamps and others can operate normally.

TROUBLE SHOOTING

For more details, consult JVC IN-CAR ENTERTAINMENT car audio dealer.

The power is not on. The sound is disrupted.

- Connect the remote input and power correctly.
- Connect the ground wire correctly to the metal part of the car.

No sound from the speaker.

- Connect the line input or speaker input cord correctly.

SPECIFICATIONS

Type	Active Subwoofer System (Built-in amplifier)
Speaker Unit	8 inch (20 cm) cone
Input Terminal	LINE IN (RCA 1 system), 0.19 V / 25 k Ω SPEAKER (1 system), 3.7 V / 20 k Ω

Power Output	32 W RMS \times 2 channels at 2 Ω and \leq 1% THD + N
Signal-to-Noise Ratio	80 dBA (reference: 1 W into 2 Ω)

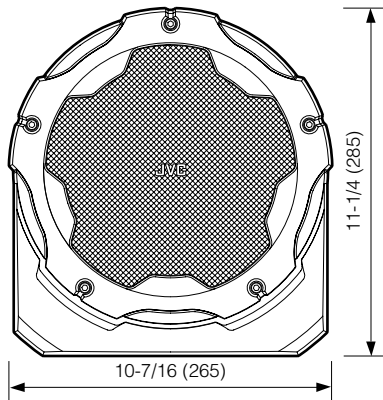


Maximum Amplifier Power Output	170 W (85 W + 85 W) DC 14.4 V / Impedance 2 Ω + 2 Ω
Cut-off Frequency	85 Hz, 110 Hz (Cutoff slope -24 dB / oct. low pass filter)
Frequency Response	45 Hz to 170 Hz (LPF switch "85 Hz") 45 Hz to 200 Hz (LPF switch "110 Hz") 45 Hz to 500 Hz (LPF switch "OFF")
Sound Pressure Level	103 dB/ m (with line input: 0.03 V)
Level Control	-50 dB to + 10 dB (remote control)
Power Requirement	DC 14.4 V (11 V to 16 V allowance) Negative ground
External dimension	10-7/16 inch (W) \times 11-1/4 inch (H) \times 4-5/8 inch (D) 265 mm (W) \times 285 mm (H) \times 117 mm (D)
Mass	8.8 lbs (4.0 kg) (Excluding accessories)

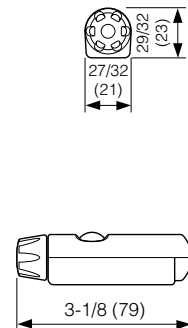
Design and specifications are subject to change without notice.

DIMENSIONS

Main Unit



Remote Controller



unit: inch (mm)

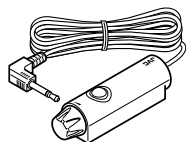
CONTENU

CONTENU	1
ACCESSOIRES	2
AJUSTEMENT DE LA PHASE ET DU SON	3
INSTALLATION	5
CONNEXIONS	9
DÉPANNAGE	13
SPÉCIFICATIONS	14
DIMENSIONS	14

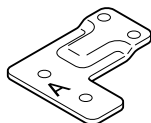
Merci pour avoir acheté un produit JVC. Veuillez lire attentivement toutes les instructions avant d'utiliser l'appareil afin de bien comprendre son fonctionnement et d'obtenir les meilleures performances possibles.

ACCESSOIRES

Télécommande: RM-RK82
(cordon: 16 pi/5 m) × 1



Support de fixation A × 1



Vis de montage
(Dia. 7/32 pouce × 11/32 pouce/
M 5 mm × 8 mm) × 4



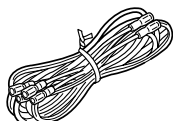
Vis autotaraudeuse
(Dia. 3/16 pouce × 13/16 pouce/
M 4 mm × 20 mm) × 8



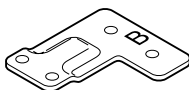
Serre-fil × 1



Cordon d'entrée de
l'enceinte
(13 pi/4 m) × 1



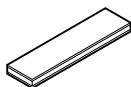
Support de fixation B × 1



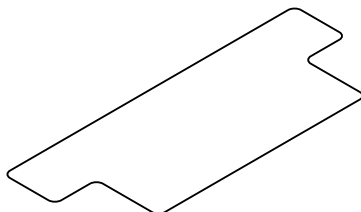
Vis de montage
(Dia. 7/32 pouce × 1 pouce/
M 5 mm × 25 mm) × 4



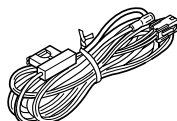
Ruban adhésif double-
face × 1



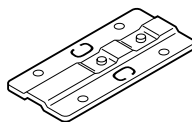
Dessin sur papier × 1



Cordon d'alimentation
(19 pi/6 m. Longueur du cordon
d'entrée de l'enceinte: 3,3 pi/1 m)
× 1



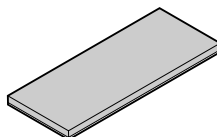
Support de fixation C × 2



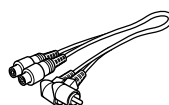
Rondelle à ressort
(Dia. 7/32 pouce/M 5 mm) × 4



Coussinet × 3



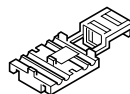
Cordon de connexion à
broches en L
(7-7/8 pouces/200 mm)
× 1



Écrou papillon
(Dia. 7/32 pouce/M 5 mm)
× 4



Raccord à sertir × 1



AJUSTEMENT DE LA PHASE ET DU SON

Utilisez un CD riche en graves pour tester et ajuster la phase et le son.

Unité principale

Commutateur INPUT ATT.

En général, réglez ce paramètre à "OFF".

Commutateur AUTO BOOST*

Réglez ce paramètre à "ON" lorsque vous utilisez la télécommande.

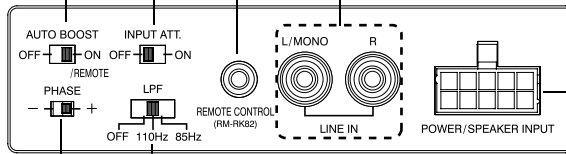
* Cette fonction ajuste automatiquement les tonalités pour qu'on puisse entendre les tonalités des basses même si le volume est faible.

REMOTE CONTROL borne

Branchez la télécommande.

LINE IN borne

Utilisez cette pièce lorsque vous connectez à la sortie de ligne ou à la sortie du caisson de graves de l'autoradio. Utilisez la borne L/MONO lorsque la sortie du caisson de graves est monophonique.



Commutateur PHASE

Réglez-le sur la position (+/-) qui offre la meilleure qualité de son.

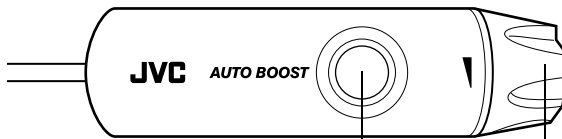
Commutateur LPF (filtre passe bas)

Change la fréquence de coupure.

POWER/SPEAKER INPUT borne

Sert à brancher le cordon d'alimentation.

Télécommande



Commutateur AUTO BOOST

Permet de mettre en et hors service la sortie du caisson de grave. Quand il est en service, le témoin est allumé.

EN SERVICE: Bleu, HORS SERVICE: Vert

Volume

- Ajustez le niveau de sortie du caisson de grave.
- Mettez le volume à un niveau raisonnable (sans distorsions).

Note

Afin d'empêcher une panne causée par un niveau excessif d'entrée de tonalités de basses et de son assourdissant, utilisez cette unité dans les conditions suivantes.

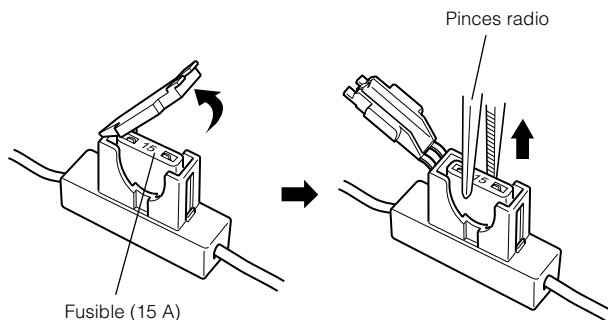
- Utilisez la commande de tonalités branchée à l'autoradio lorsqu'il est hors tension.
 - Commande Loudness: HORS SERVICE
 - BASS: Uniforme
 - Égalisateur graphique: Réglez les basses à uniforme
- Lorsque vous utilisez la borne d'entrée de l'enceinte, branchez le système à un autoradio ou à un amplificateur avec une sortie de 60 W ou moins par canal.
- Lorsque la tension de la sortie de ligne ou de la sortie du caisson de graves de l'autoradio dépasse 2 volts, réglez le commutateur INPUT ATT. à "ON".

Entretien

- Utilisez un linge doux et sec pour enlever les saletés sur la surface.
- Le revêtement de l'unité peut s'écailler et changer de couleur s'il entre en contact avec de la cire automobile ou des liquides volatils tels que l'acool, un diluant ou de l'essence.

Changer le fusible

- L'ampérage du fusible de cette unité est de 15 A.
Si le fusible saute peu de temps après l'avoir remplacé, veuillez consulter un de nos revendeurs autorisés.



INSTALLATION

Afin d'éviter un court-circuit pendant l'installation, assurez-vous de débrancher la borne négative ⊖ de la batterie.

Branchez le cordon et réglez le commutateur de l'unité d'avance.

ATTENTION

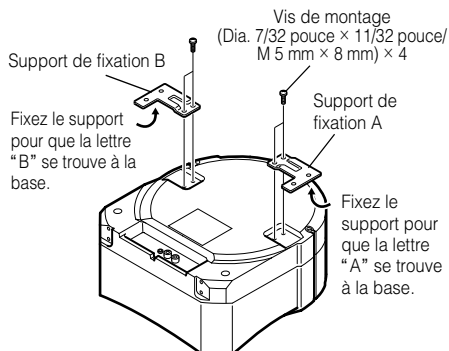
Il s'agit d'un système de caisson de graves actif.

Afin de profiter pleinement de cette unité, veuillez noter les points suivants.

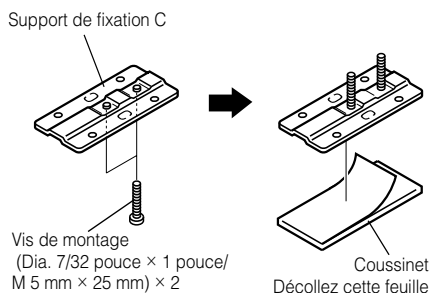
- Un déserrage des vis causés par des vibrations pendant la conduite peut être très dangereux. Lorsque vous fixez l'unité à un tapis, utilisez les supports de fixation et les vis fournis et serrez de façon appropriée.
- N'utilisez pas de ruban adhésif à double-face ou de ruban masque pour fixer ou placer cette unité à l'arrière du siège passager. Ignorer ces consignes de sécurité en utilisant cette unité peut s'avérer très dangereux.
- Avant de fixer l'unité, assurez-vous de débrancher la borne négative ⊖ de la batterie.
- Lorsque vous vous branchez à un autoradio, veuillez aussi vous référer au manuel d'instructions de l'autoradio.
- Cet appareil émet un champ magnétique puissant. Ne placez jamais des cassettes ou des cartes magnétiques à proximité; sinon, les données enregistrées sur ces supports seront effacées.

Procédures pour une installation à l'horizontal

1 Placez les supports de fixation A et B à l'arrière de l'unité

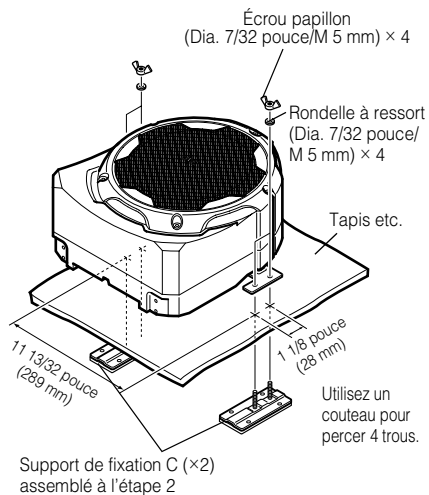


2 Serrez les vis du support de fixation C et placez un coussinet sur le support



- Assemblez les deux supports de fixation C.

3 Percez un trou dans le tapis, placez les supports de fixation assemblés C sous le tapis et fixez-les avec les écrous papillon



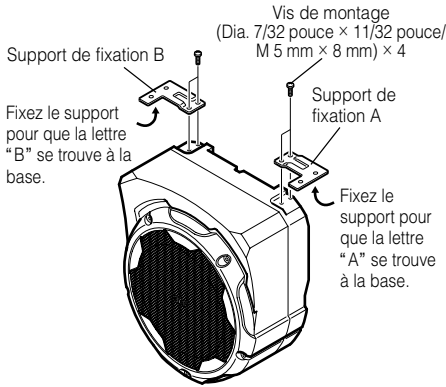
- Utilisez le dessin sur papier pour établir les positions.

ATTENTION

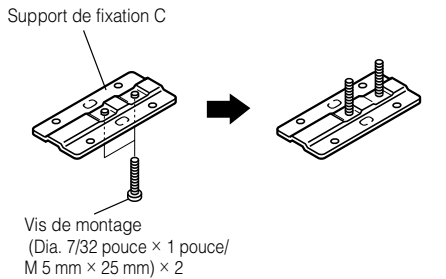
Si le coussinet n'est pas fixé au support de fixation C, vous entendrez un grincement lorsque l'unité entrera en contact avec le châssis du véhicule pendant la conduite.

Procédures pour une installation verticale

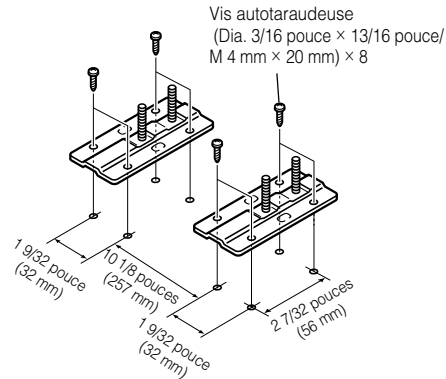
1 Placez les supports de fixation A et B à la base de l'unité



2 Serrez les vis au support de fixation C et l'installer dans le véhicule

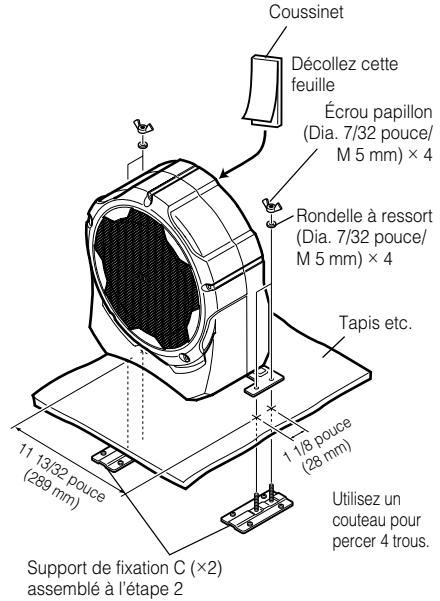


- Assemblez les deux supports de fixation C.



- Utiliser le dessin sur papier pour déterminer la position et installer l'unité dans le véhicule.

3 Percez un trou dans le tapis, placez les supports de fixation assemblés C fixez-les avec les écrous papillon



- Utilisez le dessin sur papier pour établir les positions.
- Fixez le coussinet lorsque l'arrière de l'unité entre en contact avec le châssis du véhicule.

ATTENTION

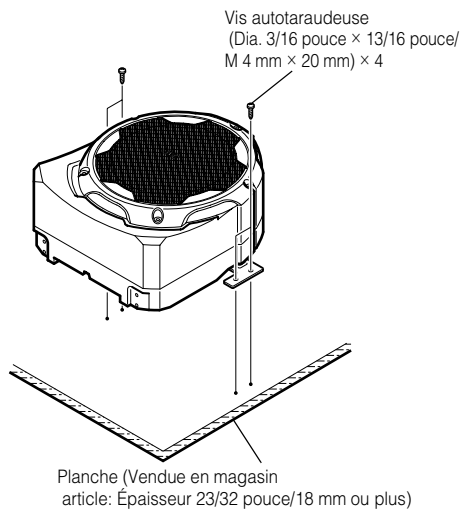
Vérifiez la position des tubes, des réservoirs et du câblage et assurez-vous de ne pas entrer en contact ou d'affecter aucun de ces éléments lorsque vous percez les trous pour fixer l'unité. Appliquez un traitement anti-rouille et imperméabilisant aux endroits usinés.

- Si vous ne traitez pas les endroits usinés, vous pouvez causer un accident ou un incendie.

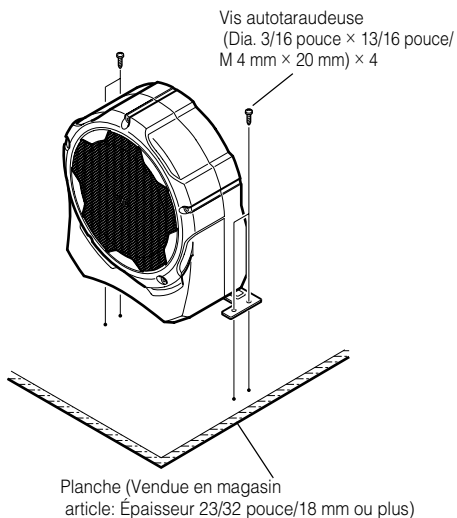
Fixation à une planche vendue en magasin

Après l'étape 1, utilisez des vis pour fixer l'unité à la planche achetée en magasin. Dans ce cas, le support de fixation C n'est pas nécessaire.

Installation à l'horizontal

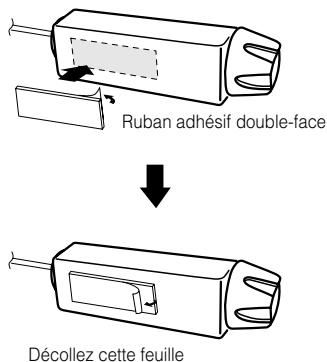


Installation verticale



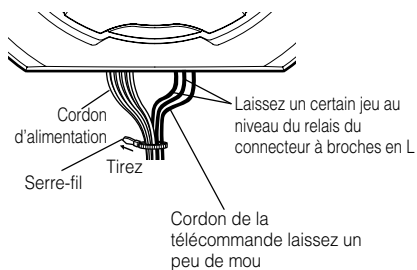
Fixation de la télécommande

Ne placez pas la télécommande dans un endroit où elle peut être exposée à la lumière directe du soleil.



Comment utiliser le serre-fil fourni

Pour empêcher un détachement du cordon de la télécommande ou du cordon de relais du connecteur à broches en L, serrez tous les cordons avec le serre-fil après avoir terminé le branchement.



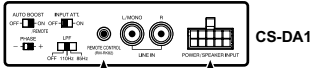
REMARQUE:

- Nettoyez bien l'article avant de le fixer.

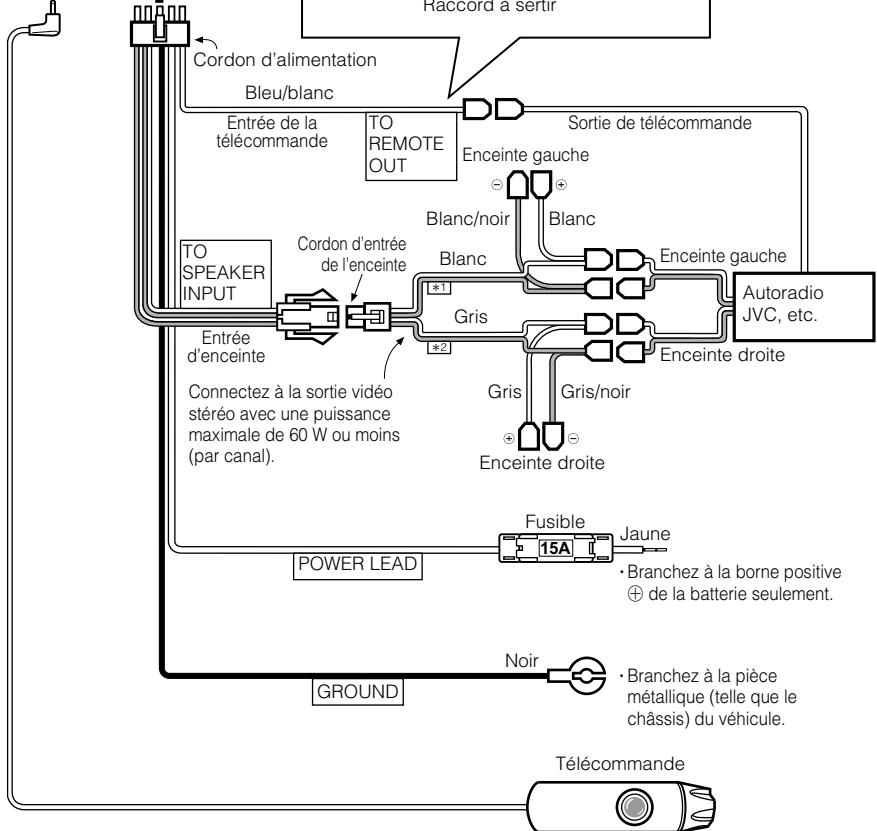
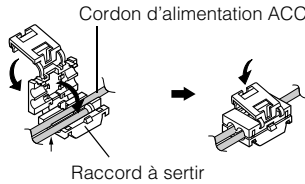
CONNEXIONS

Lors de l'utilisation de la prise d'entrée des enceintes

Réglez le commutateur LPF à "110 Hz" ou à "85 Hz" selon vos préférences.



Si votre autoradio n'est pas muni d'une sortie de télécommande, connectez à l'alimentation ACC.



- *1 : TO L CHANNEL SPEAKER OUTPUT
- *2 : TO R CHANNEL SPEAKER OUTPUT

REMARQUES:

- Le volume de cet appareil est réglé sur le maximum quand la télécommande est connectée.
- Si votre autoradio est muni d'un processeur DSP (processeur de signal numérique), connectez cet appareil à la sortie des enceintes avant de l'autoradio.

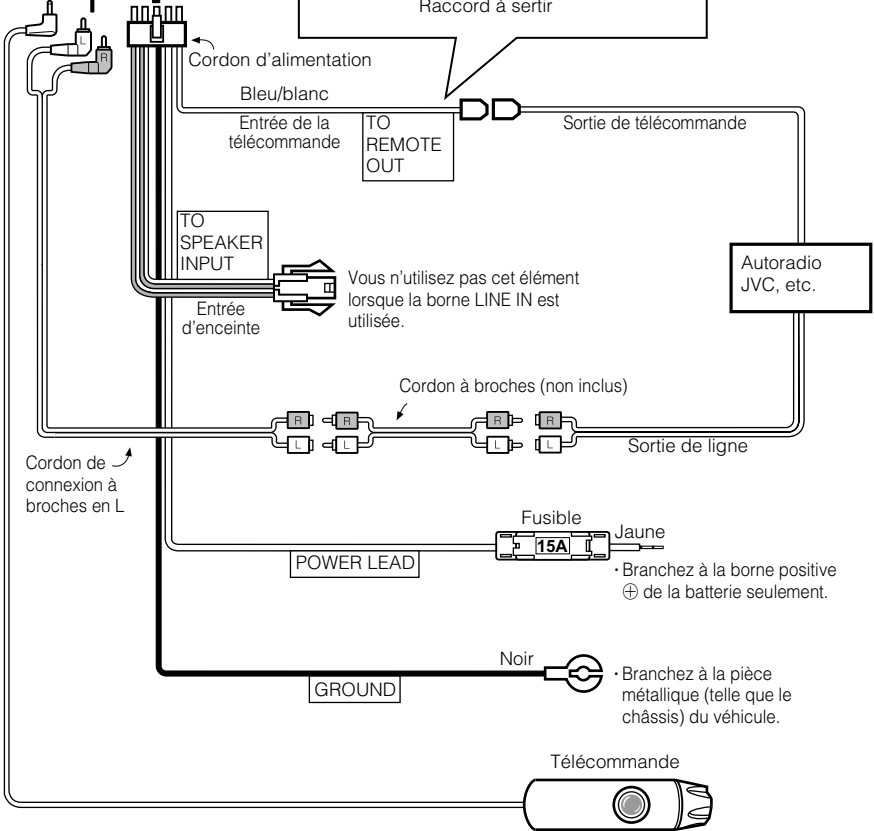
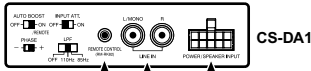
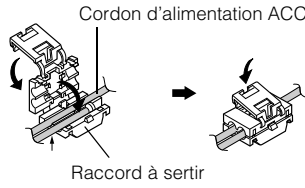
Lorsque vous utilisez la borne LINE IN

[Branchement à la sortie de ligne]

Réglez le commutateur LPF à "110 Hz" ou à "85 Hz" selon vos préférences.



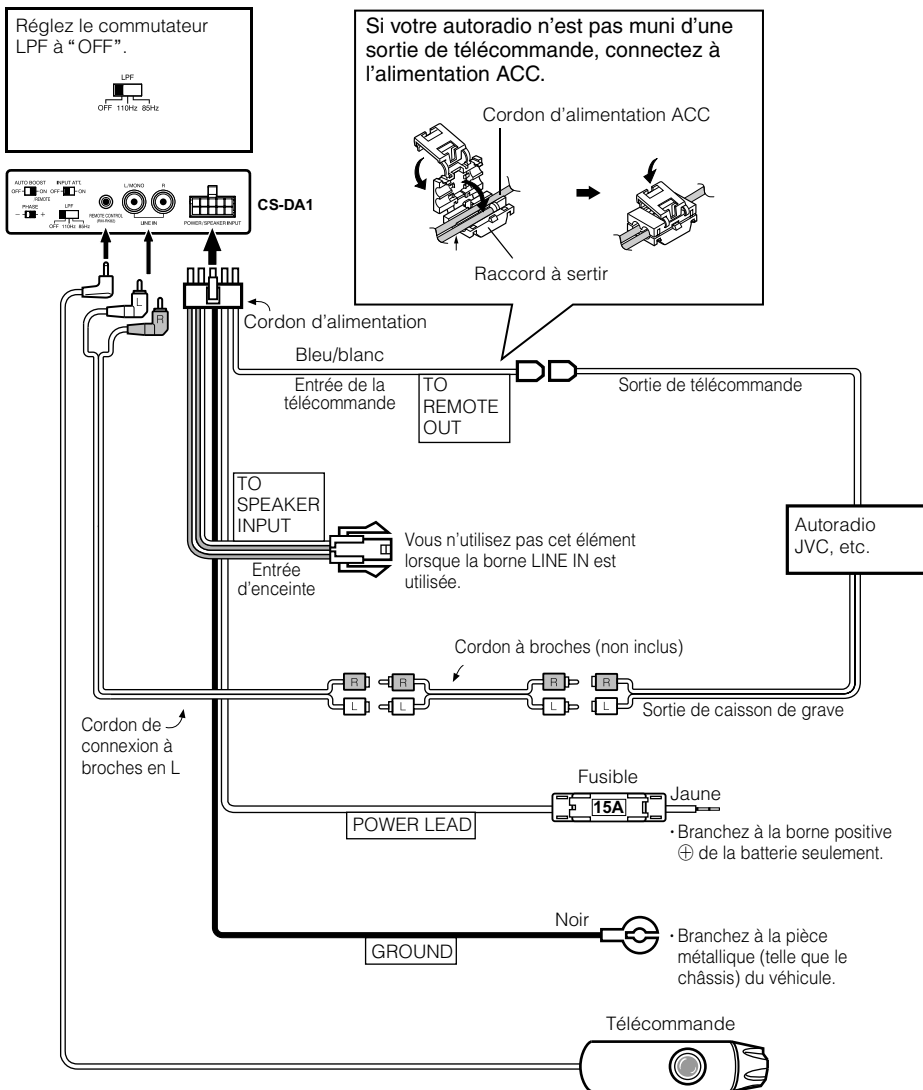
Si votre autoradio n'est pas muni d'une sortie de télécommande, connectez à l'alimentation ACC.



REMARQUES:

- Le volume de cet appareil est réglé sur le maximum quand la télécommande est connectée.
- Si votre autoradio est muni d'un processeur DSP (processeur de signal numérique), connectez cet appareil à la sortie des enceintes avant de l'autoradio.

[Branchement à la sortie du caisson de graves]



REMARQUES:

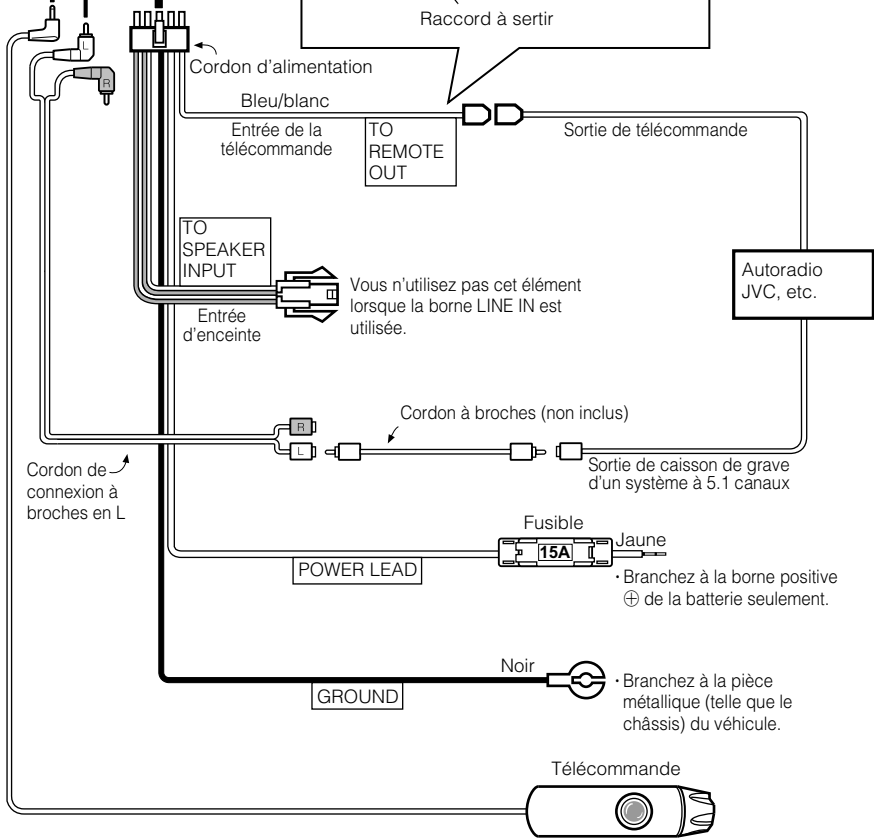
- Réglez le niveau de la sortie du caisson de graves de l'autoradio au maximum et utilisez la télécommande pour ajuster le volume de l'unité. (Cependant, dès que vous entendez des distorsions, baissez le volume de la sortie du caisson de graves de l'autoradio.)
- Lorsque la sortie du caisson de graves est le canal 1, branchez-le au caG. Isolez les connecteurs inutilisés à l'aide de ruban de vinyle.

[Branchement à la sortie du caisson de graves à 5.1 canaux]

Réglez le commutateur LFP à "OFF".

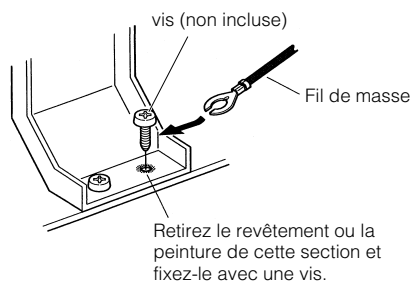
Si votre autoradio n'est pas muni d'une sortie de télécommande, connectez à l'alimentation ACC.

CS-DA1



REMARQUES:

- Réglez le niveau de la sortie du caisson de graves de l'autoradio au maximum et utilisez la télécommande pour ajuster le volume de l'unité. (Cependant, dès que vous entendez des distorsions, baissez le volume de la sortie du caisson de graves du décodeur à 5.1 canaux.)
- Lorsque la sortie du caisson de graves est le canal 1, branchez-le au caG. Isolez les connecteurs inutilisés à l'aide de ruban de vinyle.

ATTENTION**■ Connexion du fil de masse**

Cette unité exige une quantité élevée de courant électrique lorsque le volume est élevé.

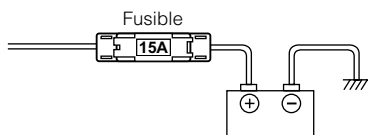
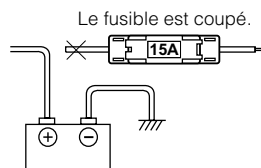
Retirez le revêtement ou la peinture de la partie métallique du véhicule où est placé le fil de masse et utilisez une vis pour le fixer.

Si le courant ne peut circuler facilement, la qualité du son sera diminuée, l'unité restera éteinte ou le son sera interrompu momentanément.

Si cela se produit, vérifiez l'état du fil de masse à nouveau. Si le problème persiste, changez l'emplacement de fixation du fil de masse.

■ Branchement à une source d'alimentation (accessoires ou alimentation de mémoire) autre que la batterie.

Un volume élevé peut faire diminuer l'éclairage de l'autoradio et faire sauter le fusible. Branchez le cordon d'alimentation à la borne positive ⊕ de la batterie seulement.

■ Ne coupez pas le fusible; sinon, il pourrait être court-circuité et entraîner un incendie.**✓ OK****⊘ NON****■ Assurez-vous de brancher "l'entrée de télécommande" à la "sortie de télécommande" de l'autoradio ou au fil d'ACC (alimentation des accessoires) du véhicule.**

Lorsqu'il n'y a pas de "sortie de télécommande", utilisez le fil d'ACC (alimentation des accessoires).

■ Lorsque la tension de la sortie de ligne dépasse 2 volts, réglez le commutateur INPUT ATT. à "ON".**■ Cette unité est conçue spécifiquement pour un circuit de 12 volts en CC, avec fil de masse négatif. Elle ne peut être utilisée dans un camion de grande taille muni d'un circuit de 24 volts.****■ Lorsque la télécommande n'est pas utilisée, le volume de l'unité se règle au maximum.**

Suivant l'installation, rebranchez la borne négative de la batterie et assurez-vous que les feux d'arrêt et les autres feux fonctionnent normalement.

DÉPANNAGE

Pour obtenir plus de détails, consultez JVC IN-CAR ENTERTAINMENT un revendeur de produits audio pour auto.

L'unité n'est pas sous tension. Le son est perturbé.

- Branchez l'entrée de la télécommande et l'alimentation de façon appropriée.
- Branchez le fil de masse de façon appropriée à une partie métallique du véhicule.

Aucun son ne sort de l'enceinte.

- Branchez le cordon de l'entrée de ligne ou de l'entrée de l'enceinte de façon appropriée.

SPÉCIFICATIONS

Type	Système de caisson de graves actif (amplificateur intégré)
Enceinte	cône de 8 pouces (20 cm)
Borne d'entrée	LINE IN (système RCA 1), 0,19 V/25 k Ω SPEAKER (1 système), 3,7 V/20 k Ω

Sortie d'alimentation	32 W puissance admissible nominale \times 2 canaux à 2 Ω et \leq THD à 1 % + N
Rapport signal-bruit	80 dBA (référence: 1 W en 2 Ω)

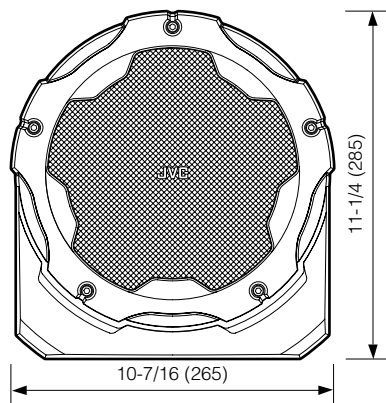


Puissance de sortie d'amplificateur maximum	170 W (85 W + 85 W) CC 14,4 V/Impédance 2 Ω + 2 Ω
Fréquence de coupure	85 Hz, 110 Hz (Pente de coupure -24 dB/oct. filtre passe-bas)
Courbe de résonance	45 Hz à 170 Hz (LPF commutateur "85 Hz") 45 Hz à 200 Hz (LPF commutateur "110 Hz") 45 Hz à 500 Hz (LPF commutateur "OFF")
Niveau de pression acoustique	103 dB/m (avec entrée de ligne: 0,03 V)
Niveau de réglage	-50 dB à + 10 dB (télécommande)
Exigence d'alimentation	CC 14,4 V (plage de 11 V à 16 V) Fil de masse négatif
Dimensions externes	10-7/16 pouces (L) \times 11-1/4 pouces (H) \times 4-5/8 pouces (P) 265 mm (L) \times 285 mm (H) \times 117 mm (P)
Poids	8,8 lb (4,0 kg) (excluant les accessoires)

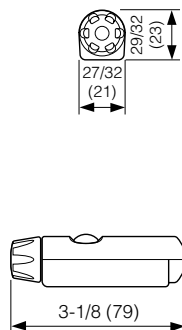
La conception et les spécifications peuvent être modifiées sans préavis.

DIMENSIONS

Unité principale



Télécommande



unité: pouce (mm)

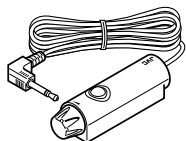
CONTENIDO

CONTENIDO	1
ACCESSORIOS	2
AJUSTES DE FASE Y DE SONIDO	3
INSTALACION	5
CONEXIONES	9
LOCALIZACIÓN DE AVERÍAS	13
ESPECIFICACIONES	14
DIMENSIONES	14

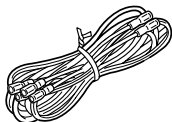
Muchas gracias por la compra de un producto JVC. Como primer paso, por favor lea detenidamente este manual para comprender a fondo todas las instrucciones y obtener un máximo disfrute de esta unidad.

ACCESORIOS

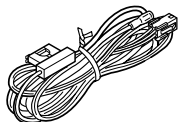
Control remoto: RM-RK82
(cable: 16 pies / 5 m) × 1



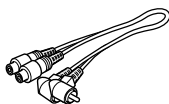
Cable de entrada de altavoz
(13 pies / 4 m) × 1



Cable de alimentación
(19 pies / 6 m, Longitud de entrada de altavoz 3,3 pies / 1 m) × 1



Cable de relé de clavija de patilla en forma de L
(7-7/8 pulgadas / 200 mm) × 1



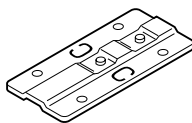
Soporte de montaje A × 1



Soporte de montaje B × 1



Soporte de montaje C × 2



Tornillo de montaje
(Dia. 7/32 pulgadas × 11/32 pulgadas /
M 5 mm × 8 mm) × 4



Tornillo de montaje
(Dia. 7/32 pulgadas × 1 pulgada /
M 5 mm × 25 mm) × 4



Arandela de muelle
(Dia. 7/32 pulgadas / M 5 mm)
× 4



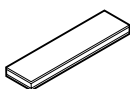
Tuerca de mariposa
(Dia. 7/32 pulgadas / M 5 mm)
× 4



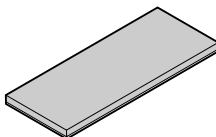
Tornillo autorroscante
(Dia. 3/16 pulgadas × 13/16 pulgadas /
M 4 mm × 20 mm) × 8



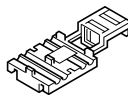
Cinta de doble cara × 1



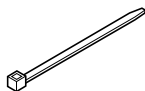
Almohadilla × 3



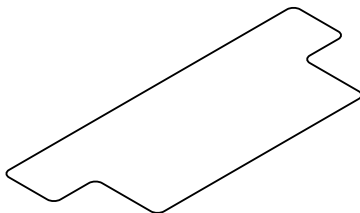
Conector de presión × 1



Abrazadera metálica × 1



Patrón de papel × 1



AJUSTES DE FASE Y DE SONIDO

Utilice un CD con sonidos graves ricos y ajuste la fase y el sonido.

Unidad principal

Conmutador INPUT ATT.

Normalmente, configure esto a "OFF".

Conmutador AUTO BOOST*

Configure esto a "ON" cuando utilice el mando a distancia.

*Esta función ajusta los tonos automáticamente para que se puedan oír los tonos bajos incluso cuando el volumen sea bajo.

Conmutador PHASE

Cambie a la posición (+/-) que le permita obtener el mejor sonido.

Conmutador LPF (Filtro de paso bajo)

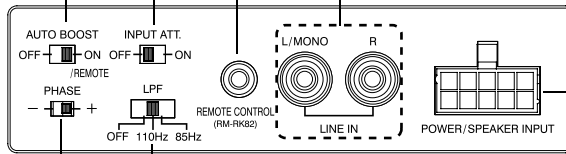
Conmuta la frecuencia de corte.

REMOTE CONTROL terminal

Conecte el mando a distancia.

LINE IN terminal

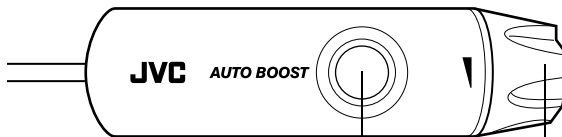
Utilice esto cuando conecte a la salida de línea o salida de realzador de bajos del equipo de sonido del coche. Utilice la terminal L/MONO cuando la salida del realzador de graves sea monofónica.



POWER/SPEAKER INPUT terminal

Conecta el cable de alimentación.

Control remoto



Conmutador AUTO BOOST

Activa y desactiva la salida del realzador de graves. La lámpara se enciende mientras la salida está activada.

ENCENDIDO: Azul, APAGADO: Verde

Volumen

- Ajusta el nivel de salida del realzador de graves.
- Ajuste el sonido dentro del rango aceptable (sin distorsión).

Nota

Para prevenir fallos debidos a la entrada excesiva de sonido de tonos bajos y ensordecedores, utilice esta unidad bajo las condiciones siguientes.

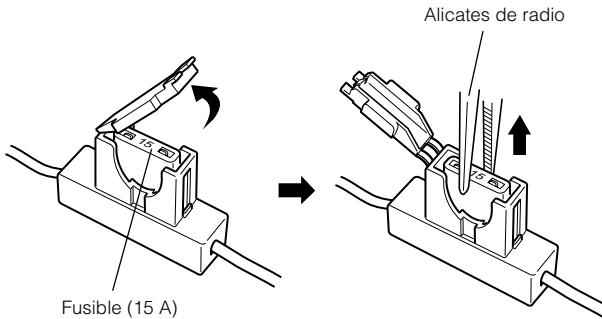
- Utilice el control de tono para el equipo de coche conectado bajo condiciones planas.
 - Control de volumen: APAGADO
 - BAJO: Plano
 - Ecuilizador gráfico: Configure el bajo a plano
- Al utilizar el terminal de entrada de altavoz, conéctela a un equipo de coche o amplificador de potencia con salida de 60 W y menos para cada canal.
- Cuando la salida de línea o salida del realzador de graves del equipo de coche supere los 2 V, cambie el conmutador INPUT ATT. a "ON".

Mantenimiento

- Utilice un paño suave y seco para quitar la suciedad de la superficie.
- La capa de la unidad puede quitarse y cambiar de color si entra en contacto con cera para coches o líquidos volátiles como alcohol, disolvente o gasolina.

Cambiar el fusible

- El fusible de esta unidad es de 15 A.
Si se funde el fusible poco después de cambiarlo, por favor consulte con nuestros distribuidores autorizados.



INSTALACION

Para prevenir cortocircuitos durante el funcionamiento, asegúrese de desconectar el cable de la terminal menos ⊖ de la batería.

Conecte el cable y configure el conmutador de la unidad por adelantado.

ATENCIÓN

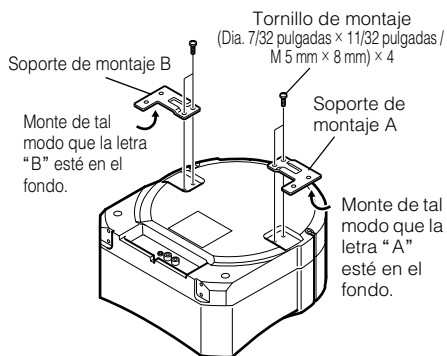
Esta unidad es un sistema de realzador activo de graves.

Para disfrutar de esta unidad de manera segura y cómoda, por favor tome nota de los puntos siguientes.

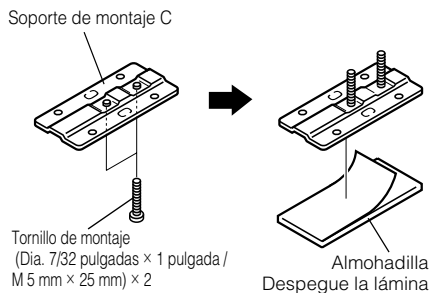
- Es muy peligroso si se aflojan los tornillos por las vibraciones causadas por la conducción. Al montar esta unidad en una alfombrilla, utilice los soportes de montaje y tornillos incluidos y apriételes fuerte.
- No utilice cinta con adhesivo por las dos caras ni cinta de pintor para asegurar ni para situar esta unidad en el asiento trasero del pasajero. El no tener en cuenta la seguridad al utilizar esta unidad es muy peligroso.
- Antes del montaje, asegúrese de desconectar el cable de la terminal menos ⊖ de la batería.
- Al conectar a un equipo de coche, por favor consulte también el manual de instrucciones del equipo de coche.
- Esta unidad genera un fuerte campo magnético. No coloque cintas cassette ni tarjetas magnéticas cerca de la unidad pues se borrarán los datos grabados en tales medios.

Procedimientos para la instalación horizontal

1 Monte los soportes de montaje A y B de la parte trasera de la unidad

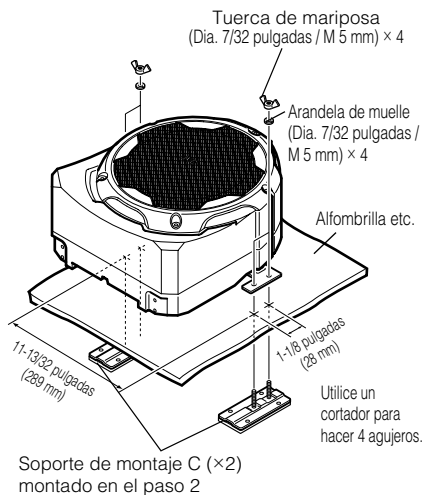


2 Apriete los tornillos del soporte de montaje C y conecte una almohadilla a él



- Monte los dos soportes de montaje C.

3 Haga un agujero en la alfombrilla, sitúe los soportes para montaje montados C debajo y asegúrelos con tuercas de mariposa



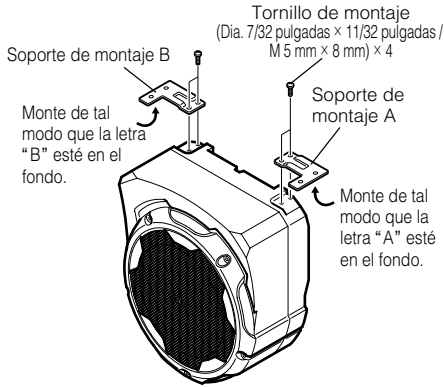
- Utilice el patrón de papel para determinar las posiciones.

ATENCIÓN

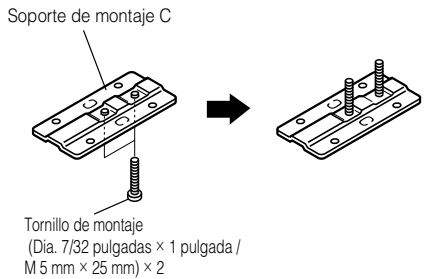
Si la almohadilla no está puesta en el soporte de montaje C, oír un sonido de metálico cuando la unidad entre en contacto con el chasis del coche según se mueva y vibre el coche.

Procedimientos para la instalación vertical

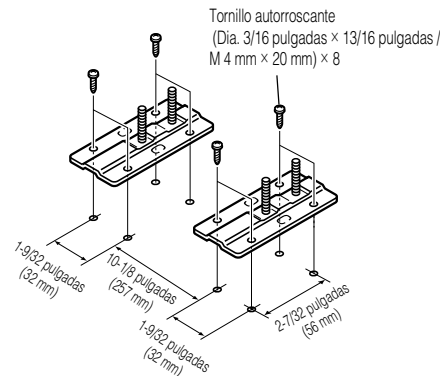
1 Monte los soportes de montaje A y B de la parte inferior de la unidad



2 Apriete los tornillos del soporte de montaje C y móntelo en el coche

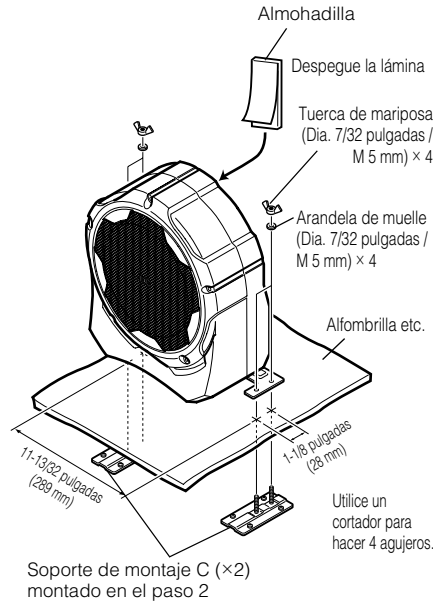


- Monte los dos soportes de montaje C.



- Utilice el patrón de papel para determinar las posiciones y monte la unidad en el coche.

3 Haga un agujero en la alfombrilla y asegure los soportes para montaje montados C con tuercas de mariposa



- Utilice el patrón de papel para determinar las posiciones.
- Ponga la almohadilla cuando la parte trasera de la unidad entre en contacto con el coche.

ATENCIÓN

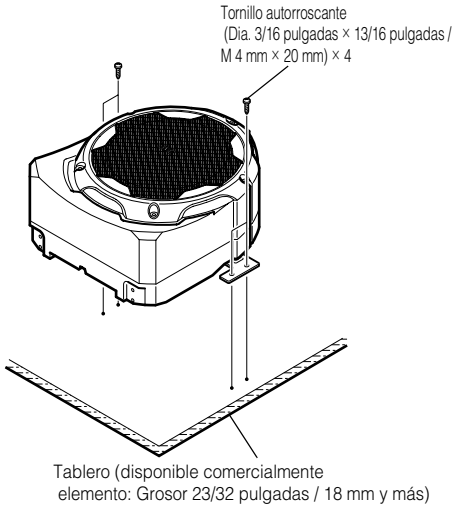
Asegúrese de comprobar las posiciones de los tubos, tanques y cables eléctricos y no interfiera ni toque estos elementos al hacer los agujeros en el coche para montar la unidad. Trate las áreas manipuladas con medidas anticorrosión e impermeables.

- Si no las trata, puede que provoquen accidentes de tráfico o incendios.

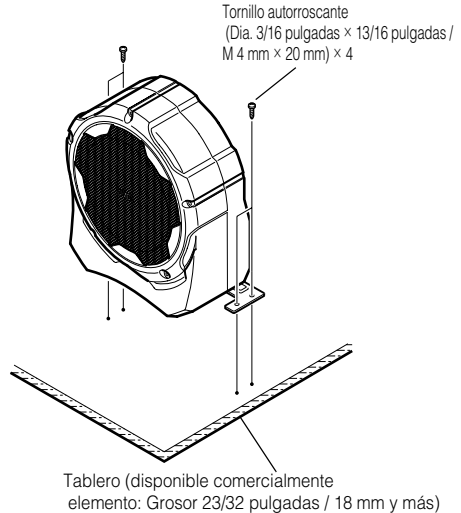
Montaje sobre tablero disponible comercialmente

Después del paso 1, utilice tornillos para asegurar la unidad a un tablero disponible comercialmente. En este caso, el soporte para montaje C no se tiene que utilizar.

Instalación horizontal

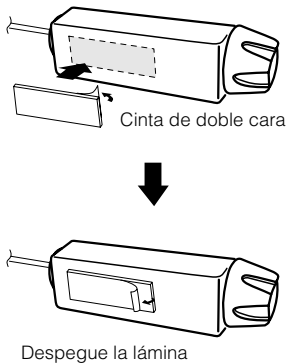


Instalación vertical



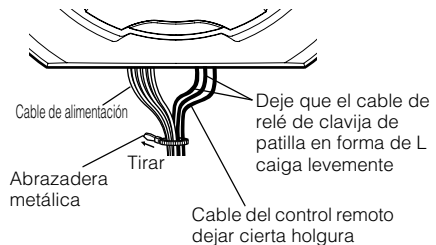
Fijación del control remoto

No deje el control remoto en un sitio expuesto a la luz directa del sol.



Cómo utilizar la abrazadera metálica suministrada

Para evitar que el cable del mando a distancia o el cable de relé de la clavija de patilla en forma de L se caigan por causa de las vibraciones, asegure todos los cables con el gancho para cables provisto después de que haya terminado la conexión.



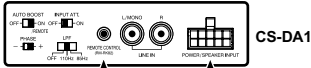
NOTA:

- Limpie bien el elemento antes de la instalación.

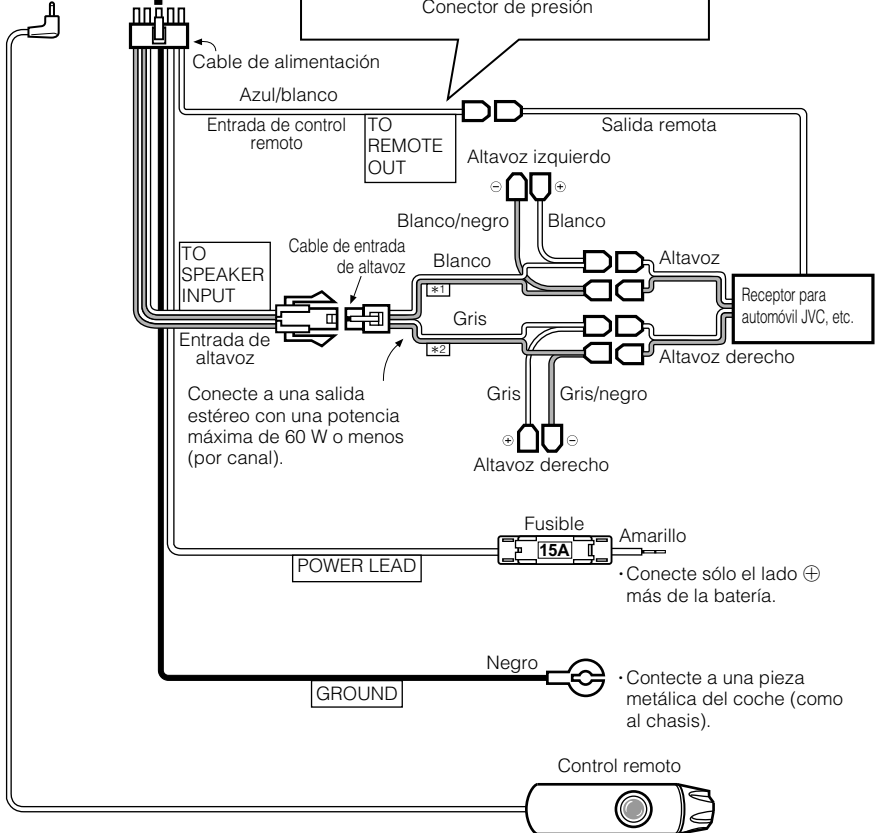
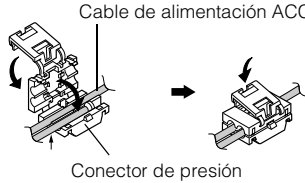
CONEXIONES

Cuando se utiliza el terminal de entrada de altavoz

Ponga el conmutador LPF a "110 Hz" o "85 Hz" según sus preferencias.



Si su receptor para automóvil no está equipado con salida para control remoto, conéctelo a la alimentación ACC.



- *1: TO L CHANNEL SPEAKER OUTPUT
- *2: TO R CHANNEL SPEAKER OUTPUT

NOTAS:

- El volumen de esta unidad se ajusta al máximo cuando no está conectado el control remoto.
- Si su receptor está equipado con D.S.P. (Procesador de señal digital), conecte esta unidad a la salida de altavoz delantero del receptor.

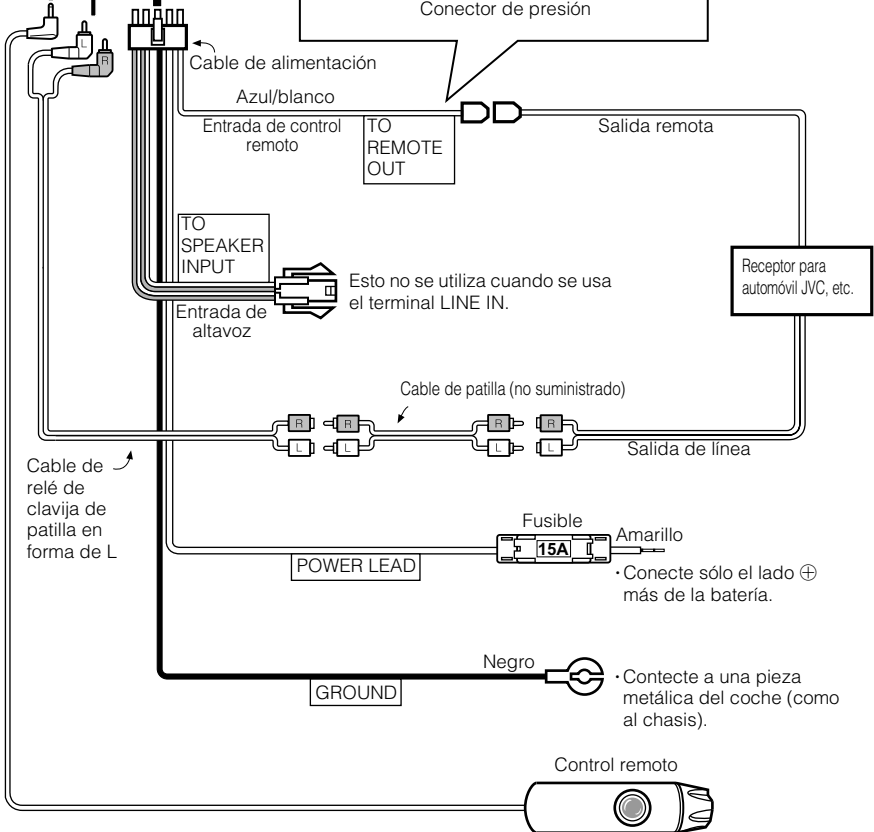
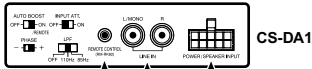
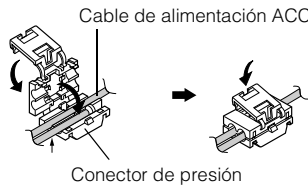
Cuando se utiliza el terminal LINE IN

[Conectar a la salida de línea]

Ponga el conmutador LPF a "110 Hz" o "85 Hz" según sus preferencias.



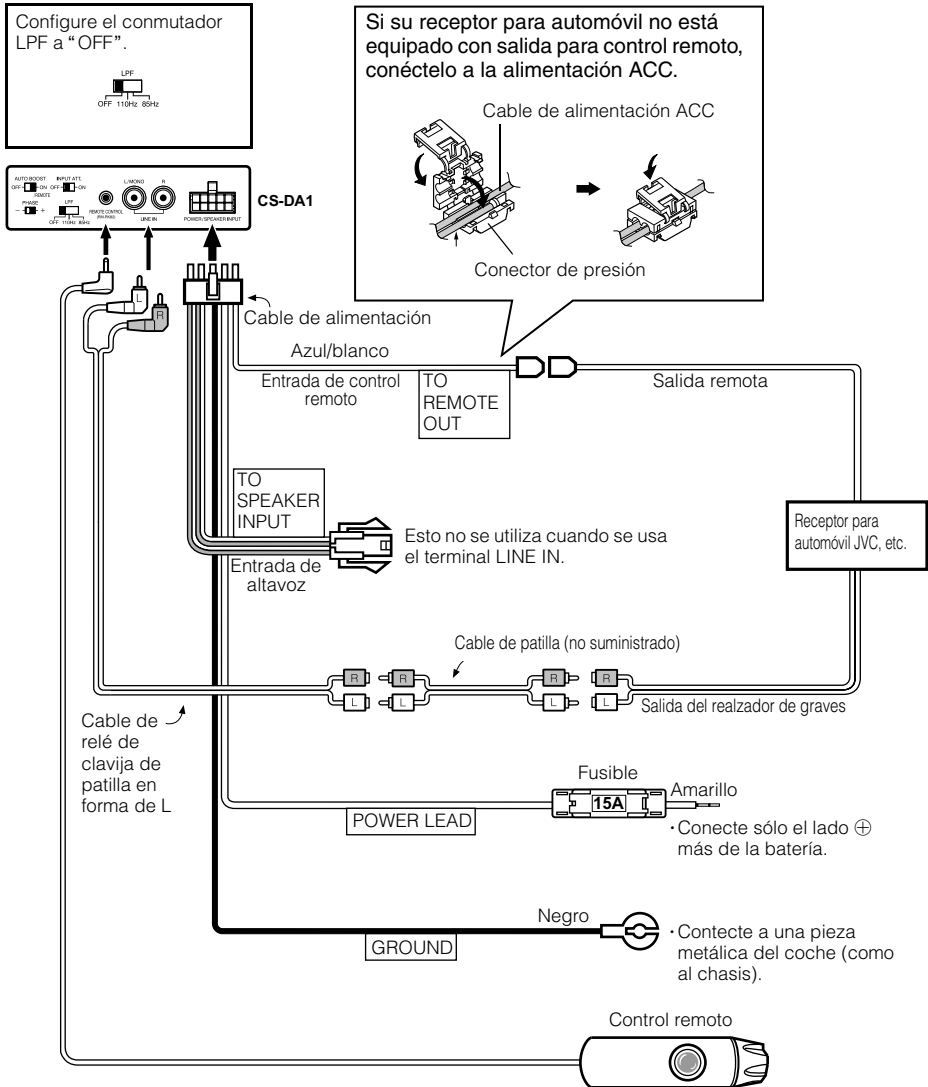
Si su receptor para automóvil no está equipado con salida para control remoto, conéctelo a la alimentación ACC.



NOTAS:

- El volumen de esta unidad se ajusta al máximo cuando no está conectado el control remoto.
- Si su receptor está equipado con D.S.P. (Procesador de señal digital), conecte esta unidad a la salida de altavoz delantero del receptor.

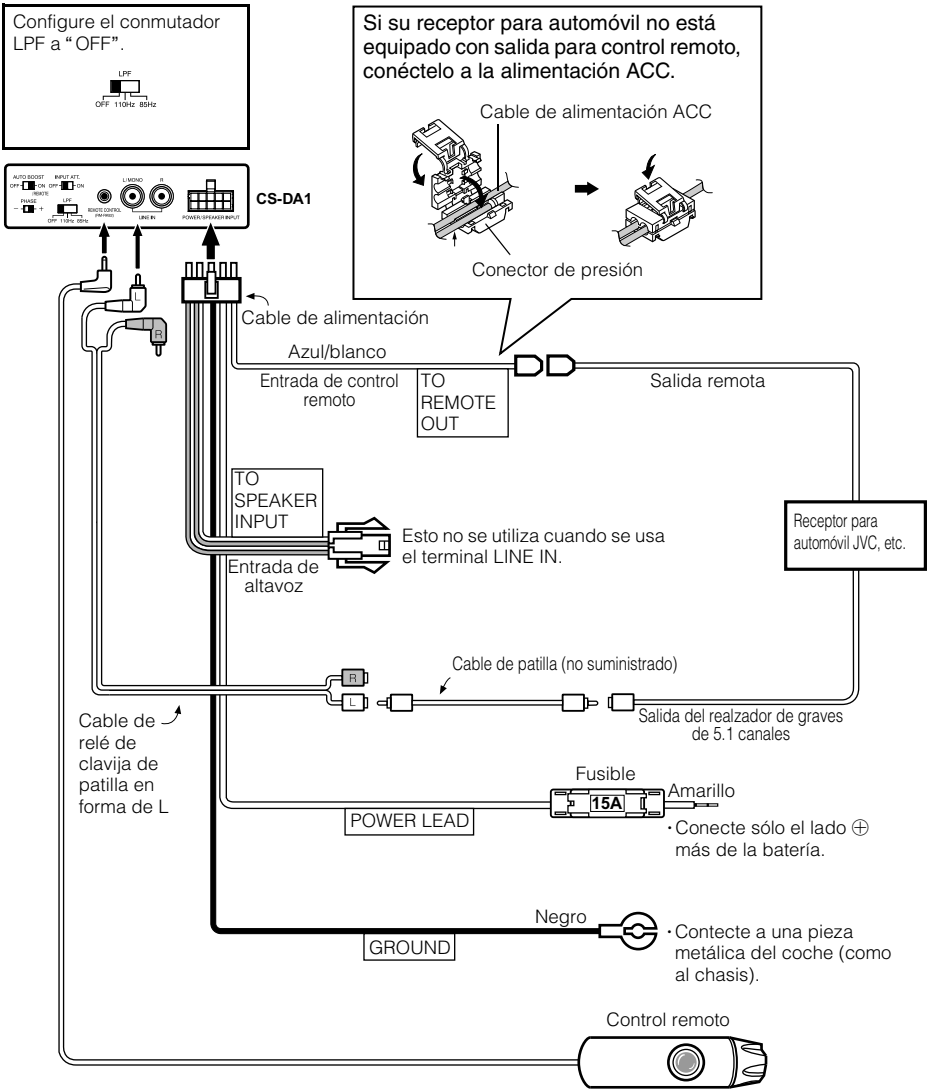
[Conectar a la salida del realzador de graves]



NOTAS:

- Configure el nivel de salida del realzador de graves del equipo del coche al máximo y utilice el mando a distancia para ajustar el volumen de la unidad. (Sin embargo, cuando se distorsione el sonido de la unidad, baje el nivel de salida del realzador de graves del equipo del coche).
- Cuando la salida del realzador de graves es 1 canal, conectar al canal I. Afise las clavijas que no se utilicen con cintas de vinilo.

[Conectar a la salida del canal 5.1 del realzador de graves]

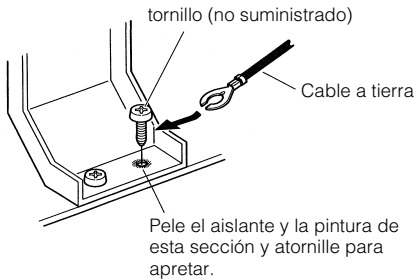


NOTAS:

- Configure el nivel de salida del realzador de graves del equipo del coche al máximo y utilice el mando a distancia para ajustar el volumen de la unidad. (Sin embargo, cuando se distorsione el sonido de la unidad, baje el nivel de salida del realzador de graves en el decodificador del canal 5.1).
- Cuando la salida del realzador de graves es 1 canal, conectar al canal I. Aíse las clavijas que no se utilicen con cintas de vinilo.

ATENCIÓN

■ Conexión del conductor a tierra



Esta unidad requiere una gran cantidad de corriente eléctrica mientras se utilice con volúmenes altos.

Pele el aislante y la pintura de la pieza metálica del coche conectada al cable a tierra y atornille para apretar.

Si la corriente no puede pasar sin problemas, causará una mala calidad de sonido, la alimentación no se enciende o se cortará momentáneamente el sonido.

Cuando ocurra esto, compruebe la condición del cable a tierra de nuevo. Si no mejora, cambie la ubicación en donde conectar el cable a tierra.

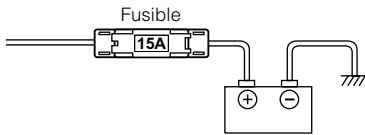
■ Al conectar a alimentación (alimentación accesoria o de memoria) distinta de la batería.

Un volumen alto puede provocar que la iluminación del equipo del coche se atenúe y el fusible fundirse.

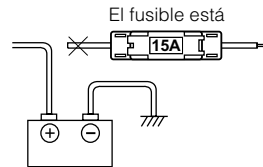
Conecte el cable de alimentación sólo al lado ⊕ más de la batería.

■ No desconecte el fusible, pues de lo contrario, se podrá poner en cortocircuito y originar un incendio.

✓ **BIEN**



⊘ **NO**



■ Asegúrese de conectar la "entrada remota" a la "salida remota" del equipo del coche o a la línea ACC (alimentación) del coche.

Cuando no hay "salida remota", conecte a la línea ACC (alimentación).

■ Cuando la salida de línea del equipo de coche supere los 2 V, cambie el conmutador ATT ENTRADA a "ENCENDIDO".

■ Esta unidad está diseñada específicamente para CC12V, menos tierra del vehículo. No puede utilizarse en vehículos de 24 V como camiones grandes.

■ Cuando no se utilice el control remoto, el volumen de la unidad está fijo a nivel máximo.

Después de la conexión, vuelva a conectar el terminal negativo de la batería y compruebe que las lámparas de parada y demás funcionen de la manera normal.

LOCALIZACIÓN DE AVERÍAS

Para mayores detalles, consulte con un concesionario JVC IN-CAR ENTERTAINMENT de sonido para automóvil.

El fusible no está desconectado. El sonido se interrumpe.

- Conecte la entrada remota y la alimentación correctamente.
- Conecte el cable a tierra correctamente a la pieza metálica del coche.

No hay sonido del altavoz.

- Conecte el cable de la entrada de línea o de altavoz correctamente.

ESPECIFICACIONES

Tipo	Sistema de realzador de graves activo (Amplificador incorporado)
Unidad de altavoz	Cono de 8 pulgadas (20 cm)
Terminal de entrada	LINE IN (Sistema RCA 1), 0, 19 V / 25 k Ω SPEAKER (1 sistema), 3,7 V / 20 k Ω

Salida de potencia	32 W RMS \times 2 canales a 2 Ω y \leq 1% THD + N
Relación señal a ruido	80 dBA (referencia: 1 W a 2 Ω)

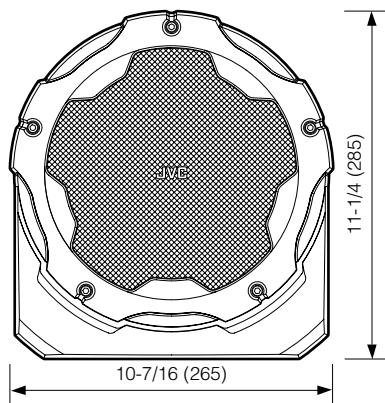


Máxima salida de potencia del amplificador	170 W (85 W + 85 W) CC 14,4 V / Impedancia 2 Ω + 2 Ω
Frecuencia de corte	85 Hz, 110 Hz (Pendiente de corte -24 dB / oct. filtro de paso bajo)
Respuesta de frecuencias	45 Hz a 170 Hz (LPF conmutador "85 Hz") 45 Hz a 200 Hz (LPF conmutador "110 Hz") 45 Hz a 500 Hz (LPF conmutador "OFF")
Nivel de presión acústica	103 dB/ m (con entrada de línea: 0,03 V)
Control de nivel	-50 dB a + 10 dB (mando a distancia)
Requisitos de potencia	CC 14,4 V (11 V a 16 V de variación) Negativo a masa
Dimensiones externas	10-7/16 pulgadas (An) \times 11-1/4 pulgadas (Al) \times 4-5/8 pulgadas (P) 265 mm (An) \times 285 mm (Al) \times 117 mm (P)
Masa	8,8 libras (4,0 kg) (Excluyendo accesorios)

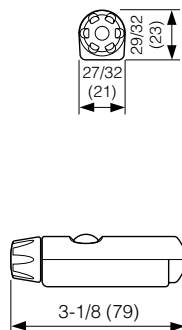
El diseño y las especificaciones se encuentran sujetos a cambios sin previo aviso.

DIMENSIONES

Unidad principal



Control remoto



unidad: pulgadas (mm)


MEMO



CS-DA1

ACTIVE SUBWOOFER SYSTEM

JVC

 EN, FR, SP

© 2007 Victor Company of Japan, Limited

0507SKMSANJEIN